

A modern, glass-walled meeting pod is shown in a minimalist setting. The pod has a silver frame and glass walls. Inside, there is a small wooden table with four legs and two matching wooden stools. The background is a plain concrete wall. The floor is dark and reflective. The text "NOOXS Think Tank" is overlaid in the center of the image.

NOOXS Think Tank

bene



02



03

NOOXS Think Tank

Combining the NOOXS wall system with glass wall elements, the NOOXS Think Tank was developed as a free-standing room-in-room solution, standing at up to 2.65m high, to provide a place for privacy in open space settings. Like NOOXS, the NOOXS Think Tank requires little time to assemble, since it is not structurally connected to the building, which also means that it is freely accessible to all users.

It is entirely self-contained with its own integrated lighting and ventilation system, which can be individually controlled from inside. This means it is possible to create the perfect environment for either private use or for group meetings, depending on the requirements of the activity – after all, exchanges in the office also feed on phases of calm and concentration.

The standard range comes in a variety of sizes, so ultimately it is the function that determines the specification; be it a meeting room, Business Box or Phone Booth – anything is possible.

DESIGN: PearsonLloyd



AWARD-
WINNER*

* GERMAN DESIGN AWARD WINNER 2017



DESIGN AND ELEMENTS

The NOOXS Think Tank is a versatile modular system consisting of solid wall and door elements. The elements can be freely combined to adapt to the individual requirements of design and function.

WALL
Solid core, fabric, fabric absorber and glass
Width 40 – 120 cm, exterior height 220 - 265 cm with interior height of 205 – 250 cm

DOOR
Glass or solid core
Width 100 cm, clearance height 220 – 250 cm

CEILING
Consists of a central technical ceiling element for ventilation, lighting and control functions, with the option to integrate sprinklers and ceiling panels.

CORNER
NOOXS Classic and NOOXS Corner

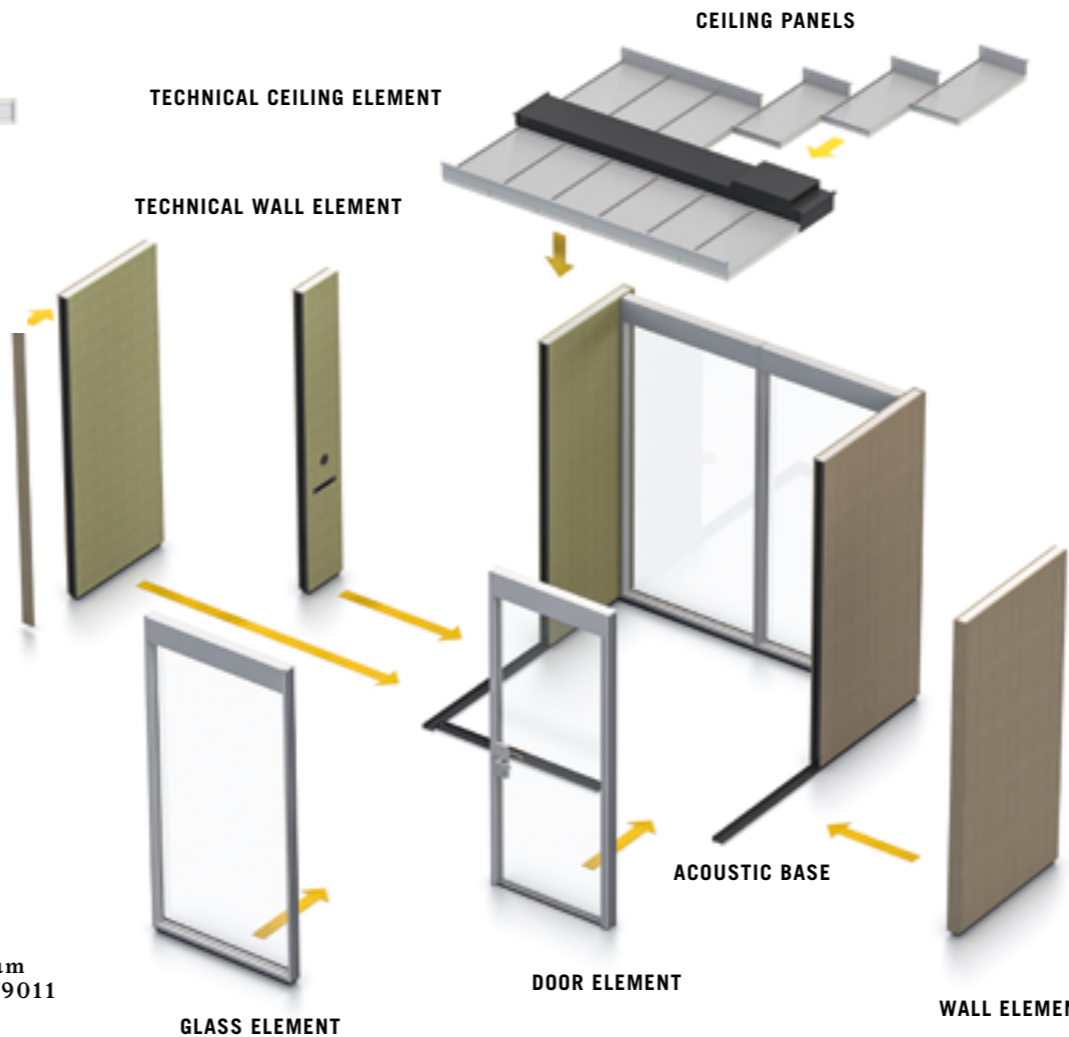


COLOURS AND MATERIALS

DOOR AND WALL ELEMENTS
Each wall element can be individually designed to specification and are fitted to the side as well as the front and rear. Wall elements can be specified in melamine, veneer, varnish or fabric - from a wide range of colours from the Bene spectrum.

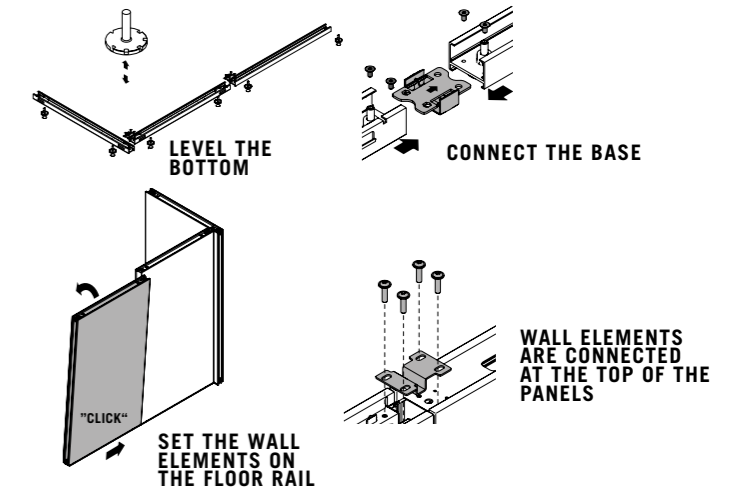
Glass elements come in 6 mm TSG/8 mm LSG acoustics. Doors are 10 mm TSG with 40 mm solid core.

PROFILES
Naturally anodised aluminium A6/C0, powder-coated RAL 9011 black, or RAL upon request.



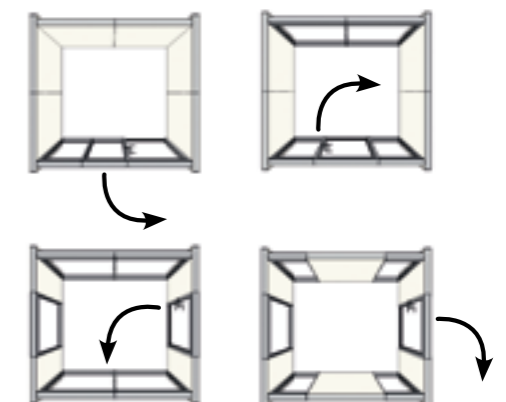
ASSEMBLY

A flexible system that can be installed by means of two connectors without great effort or need to fix directly to the building. This allows conversions and modifications to be made at any time. Adjustment feet can compensate for floor unevenness of up to 25 mm.



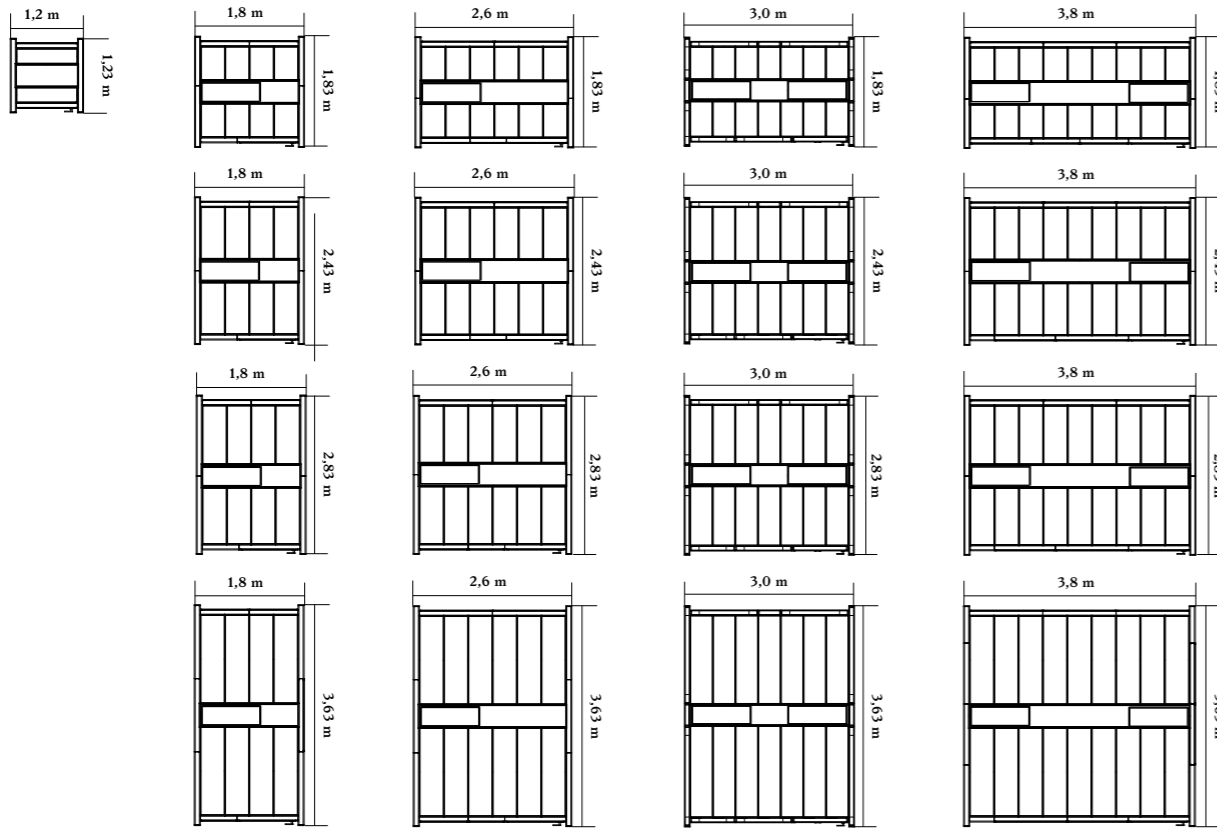
MODULAR SYSTEM

A flexible system of modular elements, with a choice of door opening direction, that can be perfectly adapted to any given space.



STANDARD SIZES*

Reversible connecting system without connection to the building



interior height: from 2,05 to 2,50m
exterior height: from 2,20 to 2,65m

ACOUSTICS

SOUND INSULATION**

- Standard: DnT,w of up to 24 dB
- Acoustic 1: DnT,w of up to 32 dB
- Wall elements with up to 38 dB Rw
- LSG glass elements with up to 36 dB Rw
- LSG glass doors with up to 35 dB Rw
- Ceiling overall with up to 38 dB Rw

REVERBERATION

NOOXS acoustic absorber (optional)
Absorber Class B,
 $\alpha_w = 0.80$ according to ISO 11654



* Individual sizes available upon request

** DnT,w is the measured value of the assessed standard noise level difference of the overall system (EN ISO 717-1)
Rw weighted sound reducing index (EN ISO 10140-1 to -5)

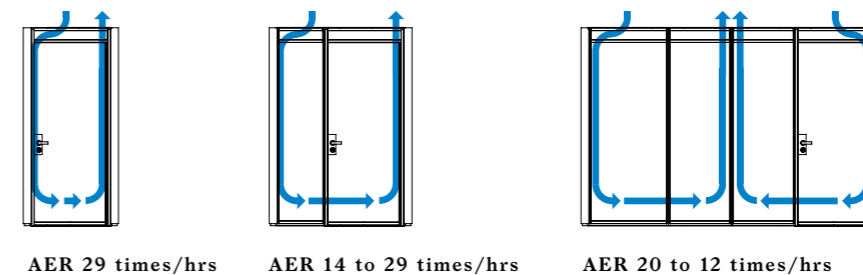
INTELLIGENT TECHNOLOGY

The central technical ceiling element includes lighting, ventilation and the control unit. A motion detector and smoke detector can be added at designated positions, and it is also possible to feed-through on-site sprinklers into the ceiling element, for fire safety. All cable connections are Plug & Play and the entire Think Tank is powered by flexible wiring and a power connector. Lighting and ventilation are automatically activated when anyone enters the Think Tank. The user retains the option of controlling the lighting and ventilation according to their needs. When someone leaves the Think Tank, a delayed control unit activates, preparing the room for the next meeting. It switches off after some time.

Construction time from 2 to 7 hours

VENTILATION

Independent of the building, the adjustable 3 level air exchange system supplies the room with ambient air while remaining quiet and energy-efficient.



AER 29 times/hrs

AER 14 to 29 times/hrs

AER 20 to 12 times/hrs

AER = air exchange rate

LED LIGHTING

Integrated into the ceiling. Colour temperature 4.000 Kelvin. Dimmable at three levels via an intuitive button.



OPTIONAL FEATURES

CLIMATE CONTROL

A source-air air-conditioning unit can be integrated into a wall element (optional). The Think Tank can be connected to an existing cold water network or a self-contained cooling unit as a plug-and-play solution, independently of existing building services.

SPRINKLER AND SMOKE DETECTOR

Where there is increased need for fire prevention, an existing sprinkler system can be routed through the ceiling into the Think Tank.

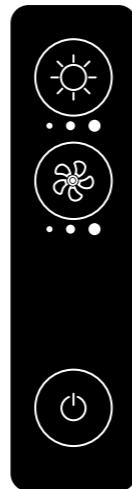
SCREENING ELEMENTS

It is possible to fit the NOOXS glass elements with additional modules in order to create privacy; retro-fitting these elements to an existing Think Tank is easy.

- Curtain
- Fix-position vertical wood slats

ADDITIONAL ELEMENTS

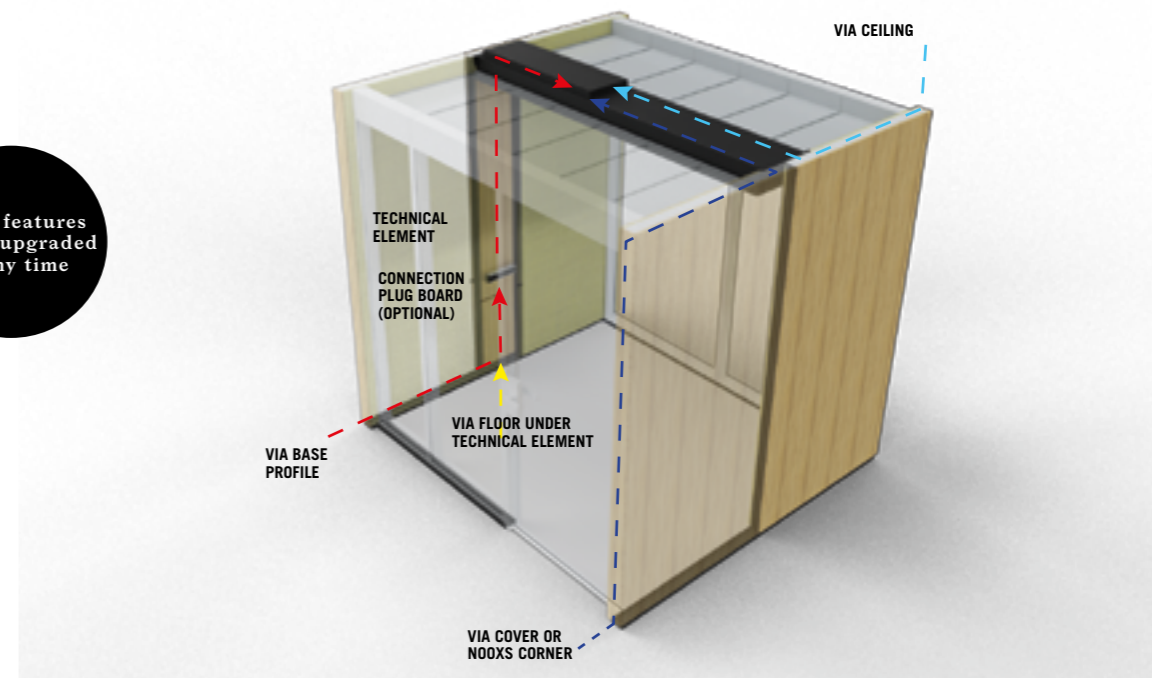
- Phone Box table
- Cabling with flush-mounted connection plug boards only available in the Technical Element.
- Adapter for displays and projector
- Adapter for whiteboards and projection surfaces
- Door closer



Other features can be upgraded at any time

ELEMENT CABLING AND CONNECTION

Cabling can be routed from the base or the ceiling. The technical wall element is detachable to enable easy access for cable management. Power and data sockets are accessible to the user via a flush-mounted connection board, a cable grommet or fed through at the element joint. NOOXS mounting brackets allow installation of screens and white boards without damaging the wall elements.



FURTHER INSTALLATION

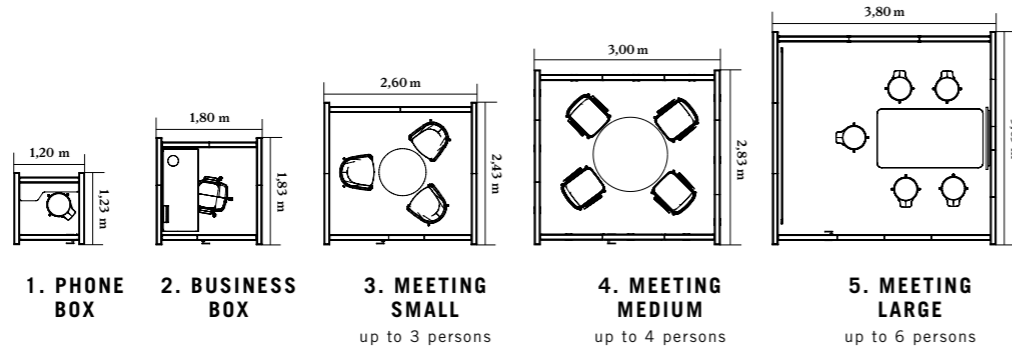
Combination with other NOOXS family elements allows seamless spatial organisation within the same system.*



* only if floor unevenness has been assessed beforehand

CONFIGURATION EXAMPLES

98,2 %
recyclable



∅ Construction time*	2 h	3 – 4 h	4 h	5 – 6 h	7 h
∅ Energy consumption	23 W	58 W	74 W	99 W	115 W
Number of LEDs	2	6	8	10	12
Air exchange rate	29/h	29/h	14/h	20/h	12/h



* without transport/two people

SUSTAINABILITY

With ISO 14001 certification, Bene operates an environmental management system that includes all areas of the company - from product development, procurement, production and logistics to product recycling. Bene understands the legal regulations as minimum requirements and strives for a higher and more sustainable level of environmental protection throughout the entire corporate group. Products are continuously certified according to the relevant quality and safety standards. Bene's principle in environmental policy is: Avoid - reduce - recycle - dispose.

NOOXS THINK TANK – ECOLOGICAL STANDARDS

- The modular design allows the elements to be used in other configurations and applications. This makes a positive contribution to extending product life beyond the original first use.
- 98% recyclability through easy disassembly with standard tools and marked individual parts
 - 55% renewable raw materials
 - 58% use of recycled production materials
 - Use of certified woods, materials tested for harmful substances and water-based paints.
 - No use of CMR and REACH listed materials, PVC, chrome, lead or mercury

NOOXS THINK TANK – BUILDING CERTIFICATIONS

NOOXS THINK TANK makes a positive contribution to the criteria of international building certification standards such as LEED, BREEAM Offices, DGNB, WELL BUILDING Standard, GREEN STAR Offices, SKA Rating, BCA Green Mark and ÖGNB.



* Values are for an exemplary common configuration. Specific comprehensive life cycle analyses are available on request.

BENE.COM/NOOXS-THINK-TANK

bene

INSPIRING OFFICES. SINCE 1790.