

# PORTS

## LEAD TOGETHER

Like a state-of-the-art port, PORTS is a multifunctional hub. Not only people but also ideas and work processes come together here. The agile infrastructure enables everyone involved to actively choose the best path to the company's goal. The modular, flexible system caters for all requirements. PORTS typifies

inspirational cooperation and productive collaboration. The three complementary product lines reflect the high standards of modern-day leadership and, in the way they interact, offer a high degree of adaptability to individual needs in the modern working world.



**bene**

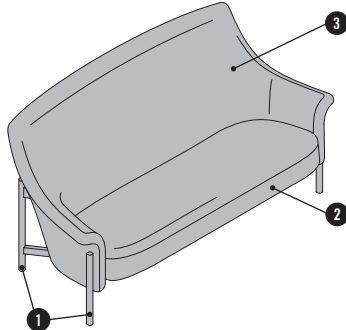
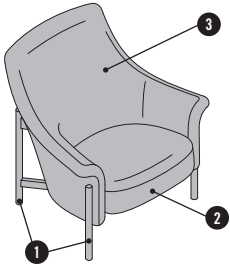
INSPIRING OFFICES. SINCE 1790.

# PORTS LOUNGE

PORTS Lounge consists of a Lounge Chair, Active Chair, Sofa and Stool.

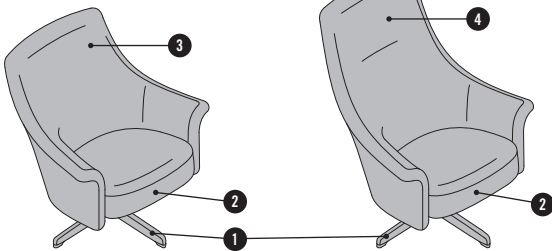
## LOUNGE CHAIR

## SOFA



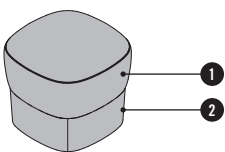
- 1 Four-leg base
- 2 Permanent fixed upholstery
- 3 Low back

## ACTIVE CHAIR



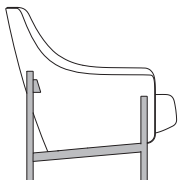
- 1 Four-star base
- 2 Fixed or changeable seat upholstery
- 3 Low back
- 4 High back

## STOOL

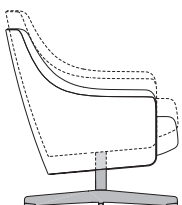


- 1 Seat upholstery, always with CMHR foam - Crib 5
- 2 Base with plastic glides

## FRAME



Four-leg base with fixed height.



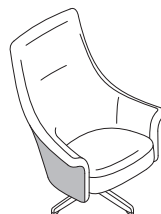
The Active Chair can be rotated 360° and has a height adjustment range of 100 mm using a pneumatic spring. The height can be adjusted by pulling the leather loop on the right side.

Both base types can be fitted with either felt glides for hard floors or plastic glides for soft floors.

## UPHOLSTERY

All upholstered elements contain dimensionally stable flame-resistant polyurethane foam padding (in accordance with 1IM standard). Also available in a material compliant with BS 5852 Part 2, Ignition Source 5 (Crib 5) as an option.

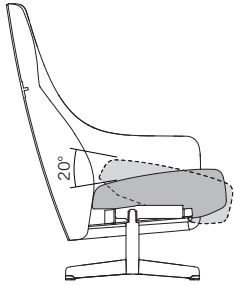
The Lounge Chair, Active Chair and Sofa can be specified separately, in either single-coloured or with inside and outside colours.



Seat upholstery identical to inside colour

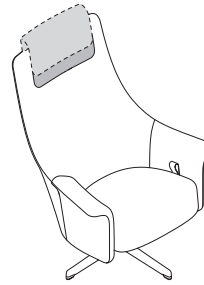
# PORTS LOUNGE

## SEAT TILT ADJUSTMENT



The upholstered seat can be specified with optional tilt adjustment. This is continuously lockable within a 20° range. Adjustment of the tilt mechanism is performed by pulling the leather loop on the left-hand side of the seat.

## HEADREST

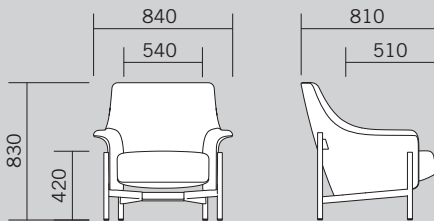


The headrest can be optionally specified for the high back Active Chair. It is attached to the backrest and therefore the height can only be adjusted to a limited extent. The colour and material of the headrest can be selected from the same range as the other upholstered elements.

## OVERVIEW AND DIMENSIONS

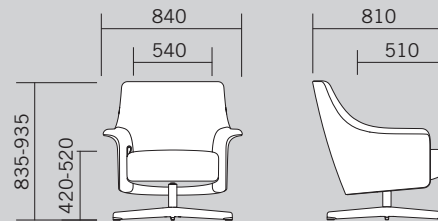
### LOUNGE CHAIR

#### Four-leg base

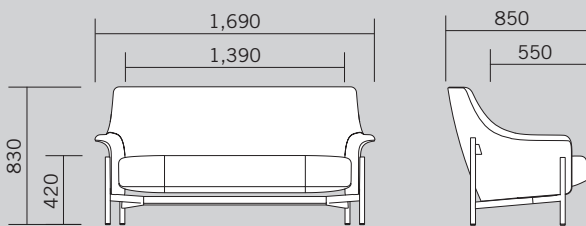


### ACTIVE CHAIR

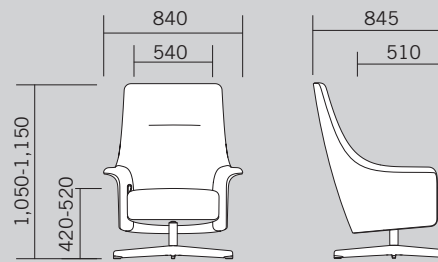
#### Four-star base, low back



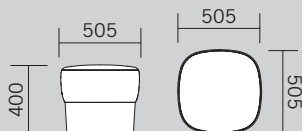
### SOFA



#### Four-star base, high back



### STOOL

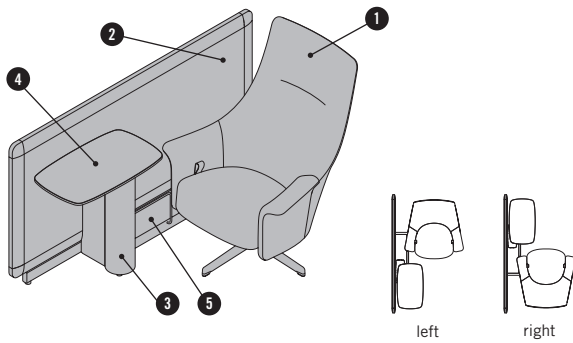


Measurements in mm

## PORTS TASK LOUNGE

PORTS Task Lounge consists of the Lounge module and a Active Chair with seat tilt adjustment, fixed permanently together. The Active Chair is available with either a low or high back.

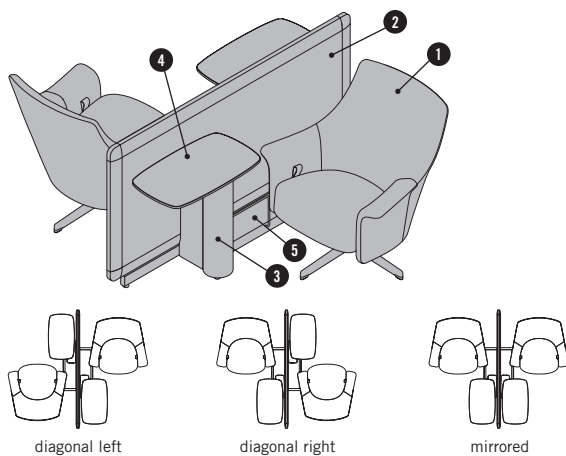
### TASK LOUNGE



The Task Lounge can be configured on the left or right.

- ① Active Chair with height and seat tilt adjustment in all versions
- ② Screen
- ③ Table column
- ④ Revolving table
- ⑤ Bag storage

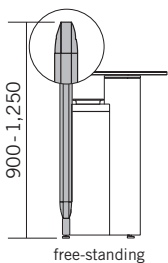
### DUO TASK LOUNGE



The Duo Task Active chairs can be configured diagonally adjacent, left or right, or mirrored. All equipment variants and options are available on both sides in all cases.

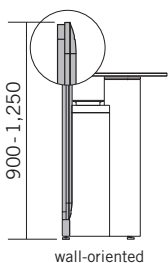
- ① Active Chair with height and seat tilt adjustment in all versions
- ② Screen
- ③ Table column
- ④ Revolving table
- ⑤ Bag storage

### SCREEN



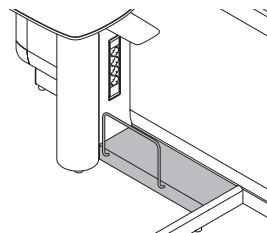
The Task Lounge can be free-standing or in a wall-oriented position. The screen consists of two shells, in all cases, and is available with a fabric cover, melamine or veneer surface. The screen height can be specified from 900 mm - 1,250 mm.

Free-standing Task Lounge:  
Fabric covered: 2 x 16 mm chipboard and 2 x 8 mm soft fibreboard in fabric cover.  
Veneer finish: 2 x 25 mm MDF panel, with milled contours in veneer.



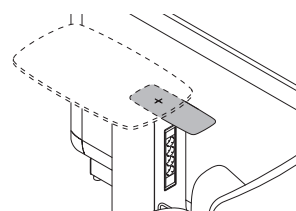
Wall-oriented Task Lounge:  
Wall side 1 x 16 mm chipboard in MB basalt melamine, in all versions.  
User side either 1 x 16 mm chipboard and 2 x 8 mm soft fibre board with fabric cover, or 1 x 25 mm MDF panel, with milled contours in veneer.

### BAG STORAGE



The bag storage is made of powder-coated metal, the handle is chrome-plated steel.

### LEATHER SHELF



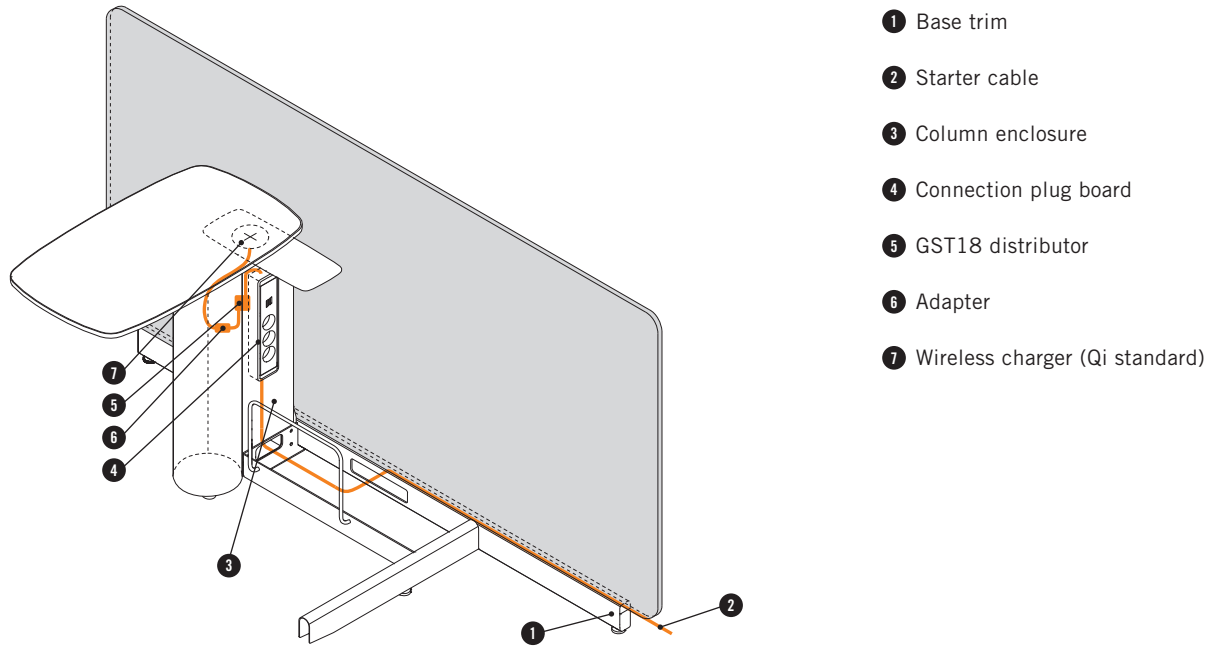
The leather shelf comes as standard in all versions. It is made up of a steel plate covered in leather. An optional wireless charger is also available (according to Qi standard), which can be indicated with an embossed "+" symbol.

## PORTS TASK LOUNGE

### CABLING

The starter cable is channelled from the base of the screen frame, via an opening in the top part of the base trim. Cables are then routed from base frame into the column enclosure, via openings accessible by removing the bag storage cover.

#### Task Lounge

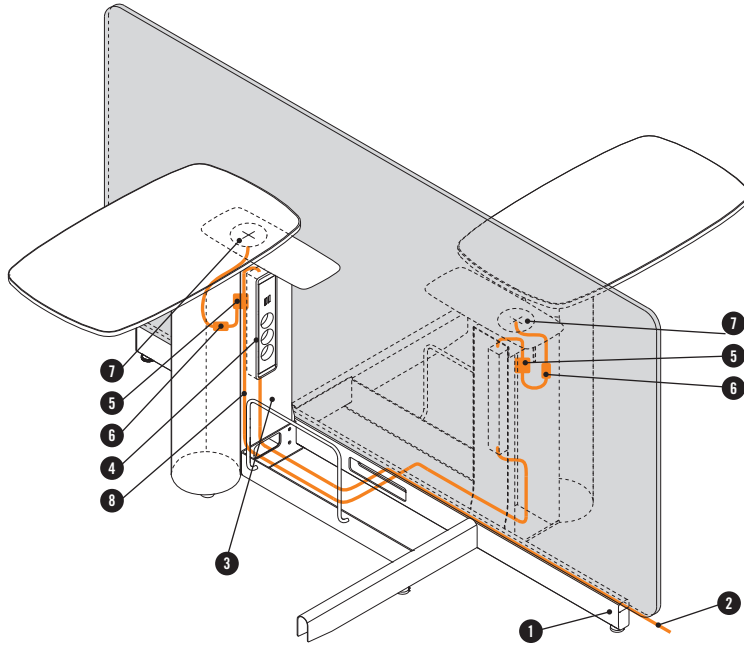


A 4-fold connection plug board is integrated flush into a recess in the table column, making it accessible from the outside. Additional cabling can be installed inside. A GST18 distributor, connecting to the wireless charger via an adapter, is located on the connection plus board.

Integration options for connection plug boards and cabling → Price list for "Cable and media management"

# PORTS TASK LOUNGE

## Duo Task Lounge



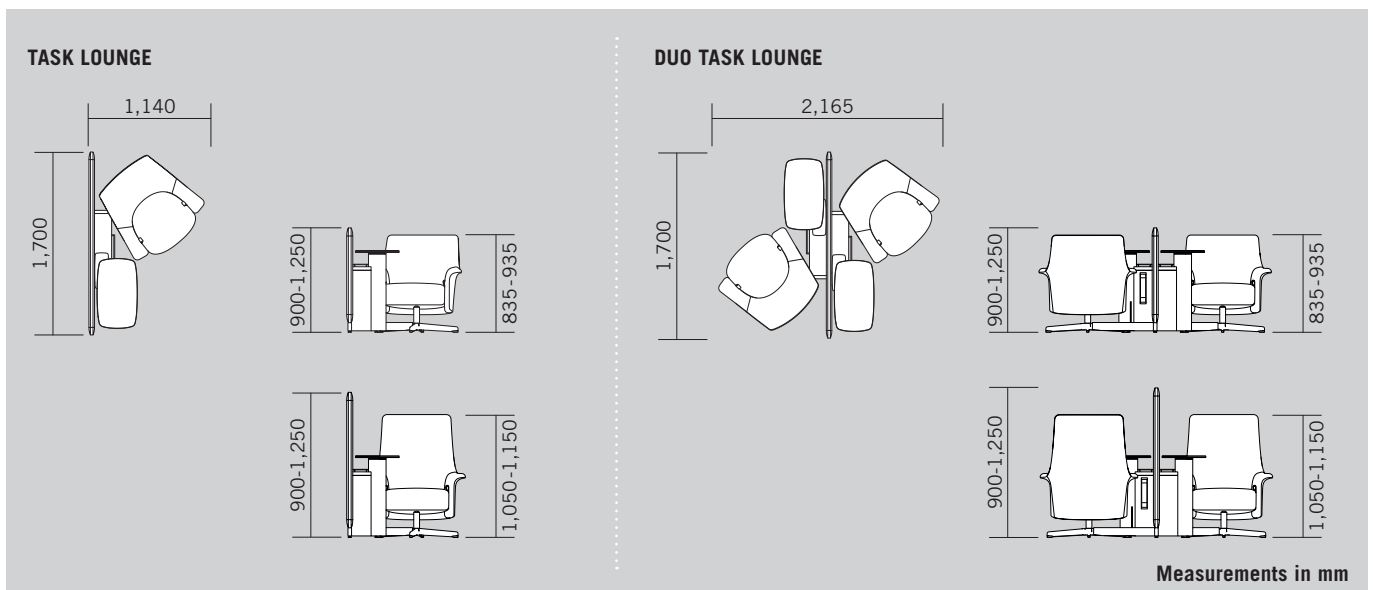
- ① Base trim
- ② Starter cable
- ③ Column enclosure
- ④ Connection plug board
- ⑤ GST18 distributor
- ⑥ Adapter
- ⑦ Wireless charger (Qi standard)
- ⑧ INTERCONNECTING CABLE

A 4-fold connection plug board is integrated flush into a recess on both table columns, enabling external access. A GST18 distributor is located on the connection plug board, with an adapter that leads from there to the wireless charger and the plug board to the other side.

The interconnecting cable is channelled to the other side, through opening in the bag storage and base frame, directly to the recessed connection plug board. This also has distributors and adapters for the wireless charger. The interconnecting cable is not required if a Task Lounge is configured.

Integration options for connection plug boards and cabling → Price list for “Cable and media management”

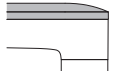
## OVERVIEW AND DIMENSIONS



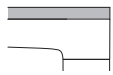
# PORTS TABLE

PORTS Tables are categorised as work or meeting tables, and are both available in two fixed heights or electrically height adjustable.

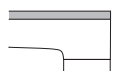
**1 Tabletop:** There are 4 tabletop types to choose from:



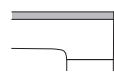
MDF top 25 mm (comfort edge) with 1 mm edge



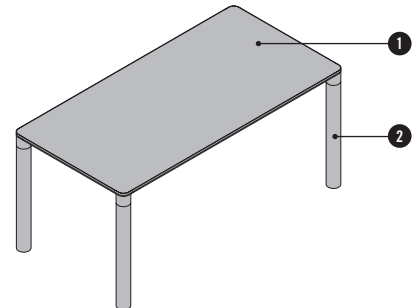
19 mm chipboard with 1 mm edge



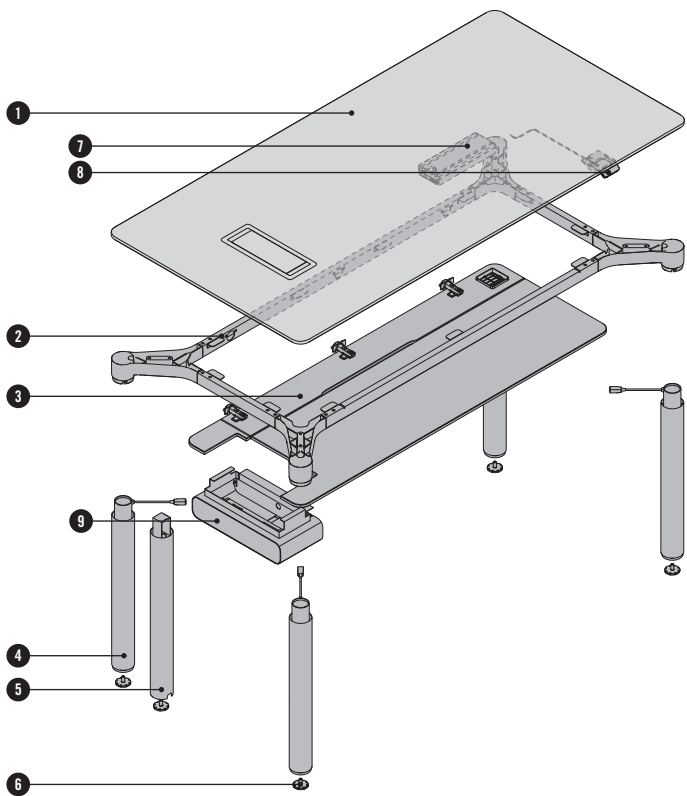
13 mm compact board



12 mm compact board Fenix



**2 Frame:** 4-leg base with round columns, electrically height adjustable option via battery or mains operation.



- 1 Tabletop
- 2 Frame made from steel profile, die-cast aluminium corner nodes
- 3 Bottom cover panel, CDF panel in MB basalt melamine
- 4 Lift column for electrically height adjustable tables
- 5 Table column for fixed height
- 6 Adjustment leg, levelling area 12 mm
- 7 Control (for height adjustable table)
- 8 Hand switch (for height adjustable table)
- 9 Power Box

## OVERVIEW AND DIMENSIONS

### WORKING TABLE

#### rectangular

1,600 | 1,800 | 2,000 | 2,200 | 2,400



Depths:  
700 | 800 | 900 | 1,000 | 1,100 | 1,200

### MEETING TABLE

#### rectangular

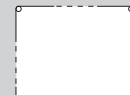
2,000 | 2,200 | 2,400



Depths: 1,000 | 1,100 | 1,200

#### square

1,200 | 1,400 | 1,560



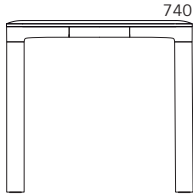
Depths: 1,200 | 1,400 | 1,560

Measurements in mm

## PORTS TABLE

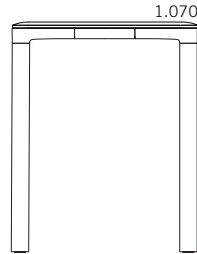
### HEIGHTS

#### fixed height 740 mm



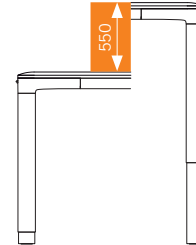
12 mm: 726 mm  
25 mm: 740 mm

#### fixed height 1,070 mm



12 mm: 1,056 mm  
25 mm: 1,070 mm

#### Height adjustable



12 mm: 686 - 1,236 mm  
25 mm: 700 - 1,250 mm

### ELECTRICAL HEIGHT ADJUSTMENT

#### 3-PART TELESCOPIC ROUND COLUMN WITH INCREASED COLLISION PROTECTION

- with concealed glides
- Stroke length 550 mm
- Lifting capacity 700 N / column
- With sensor/protection against uncontrolled movement, integrated into column
- Separate control system with power lead
- four identical columns per table
- Manual switch is connected to control system

#### CONTROL SYSTEM FOR COLUMN WITH INCREASED COLLISION PROTECTION

Maximum load 100 kg (PC, front/sliding panel etc. must be included)

#### Type

- Power supply input 230 V AC, 50 Hz
- Maximum on-time 2 min. on, 18 min. off
- Protection category II
- low noise level
- Upward lift speed 38 mm/s

#### Reference values for power consumption

	Load	Power consumption
· Stand-by		< 0.1 watts
· Upward lift	100 kg	max. 300 watts / 450 watts

### MAINS OPERATION

#### Premium BT manual switch

Dimension: W: 78.8 mm, H: 25.2 mm  
Colour: black  
Functions: Up/down function, intuitively operated element, reminder function through LED lighting strip, memory function, pedestal/shelf stop, display, Bluetooth®



### BATTERY OPERATION

#### Manual control switch Light

Dimension: W: 65.8 mm, H: 25.2 mm  
Colour: black  
Functions: up/down function, intuitively operated element



The cable outlet, Plugbox, Power Box and Power Tray options are not available here.

### Intuitive operation

The manual switches are operated with a tilting function rather than through buttons, so that the desk can be adjusted without looking.

### Motivating reminder function

The Premium BT manual switch has an integrated reminder function. This indicates the status of the desk usage either with a green or orange colour. When it's time to change positions, the colour changes. The intervals can be preset or customised.

### Digital integration

The integrated Bluetooth® wireless technology makes it possible to connect the Premium BT manual switch with the Desk Control™ app. The app is available for Android and iOS mobile devices.

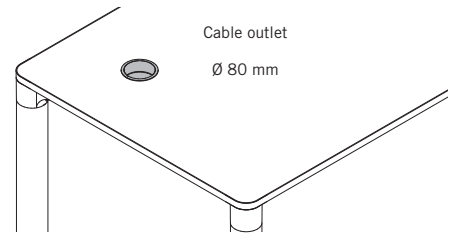


## PORTS TABLE OPTIONS

### CABLE OUTLET

Simple and quick cabling through the table top. A part of the cover is slid to one side and the cable is passed through accordingly.

- 1-2 outlets possible per tabletop, positions fixed
- with height adjustable table but not with battery operation
- required when selecting PORTS Power Tray



#### Possible positions of the grommet hole

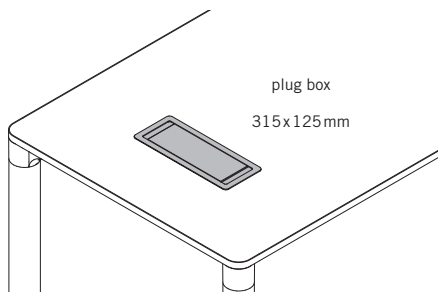
Work table



Meeting table



### PLUG BOX



The plug box is milled flush into the table top and can be equipped with a connection plug board. Easy and quick access to the connection plug board can be gained by opening the aluminium flap.

- 1 unit possible per tabletop, position fixed
- with height adjustable table but not with battery operation

Plugbox, integration options for connection plug boards and cabling → pCon products

#### Possible positions of the plug box

Work table



Meeting table

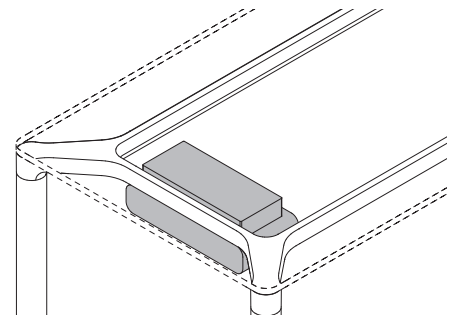


### POWER BOX

The Power Box is used for invisible cabling on the underside of the table and provides space for a 4-fold connection plug board. Access is via a covered side which is attached with magnets.

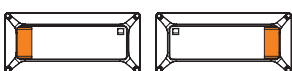
- 1 unit possible per tabletop, position fixed
- with height adjustable table but not with battery operation
- only available in combination with cable outlet

Integration options for connection plug boards and cabling → pCon products

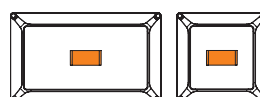


#### Possible positions for the Power box

Work table



Meeting table



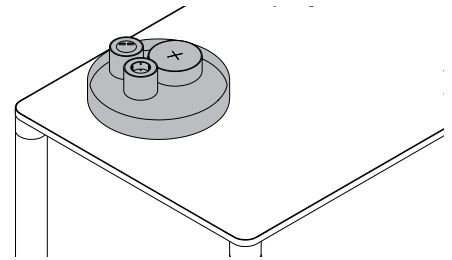
## PORTS TABLE OPTIONS

### PORTS POWER TRAY

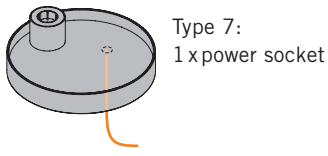
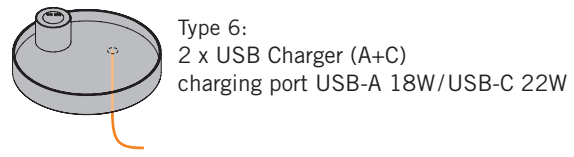
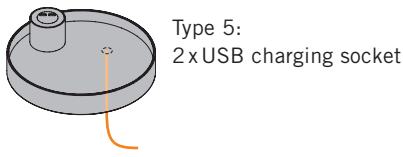
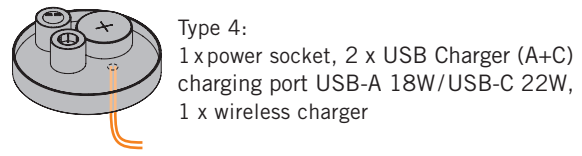
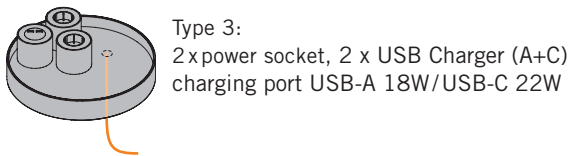
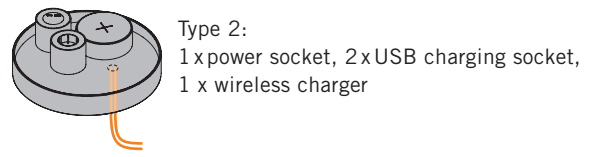
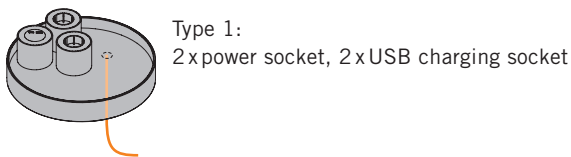
The Power Tray is simply placed on the table. A cable outlet must be selected for this through which the cables then lead to the Power Tray.

- Up to 1 per table possible
- Cable outlet must be selected

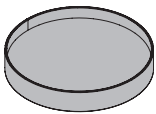
The Power Tray consists of veneered shaped wood, depending on the type, there are cylinders made of anodised aluminium fixed onto this.



### PORTS Power Tray types with cabling



### PORTS Power Tray types without cabling

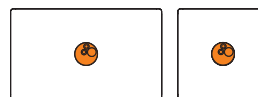


### Possible positions of the PORTS Power Tray

Work table



Meeting table



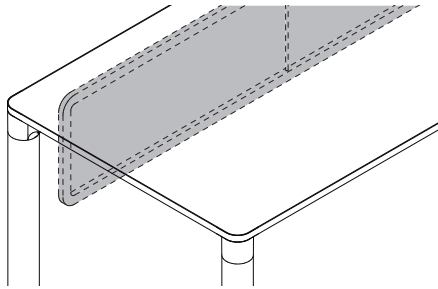
### OVERVIEW AND DIMENSIONS

<p><b>Power Box</b></p>	<p><b>Power Tray</b></p> <p>Ø: 302 H: 94</p>
-------------------------	--

Measurements in mm

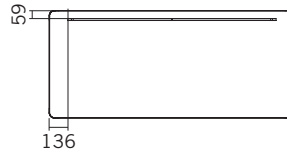
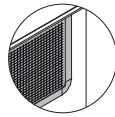
## PORTS TABLE OPTIONS

### MODESTY PANEL TEXTILE MESH



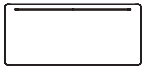
For the provision of visual screening and/or upgrading of free-standing workstations. The modesty panel is covered with mesh, the assembly is recessed on the visitor's side.

- for PORTS Work Table only
- 1 possible per table, position fixed



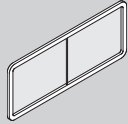
### Possible positions for the modesty panel

work table



### OVERVIEW AND DIMENSIONS

#### Modesty panel textile mesh



Height: 350  
Width variable depending  
on table width.

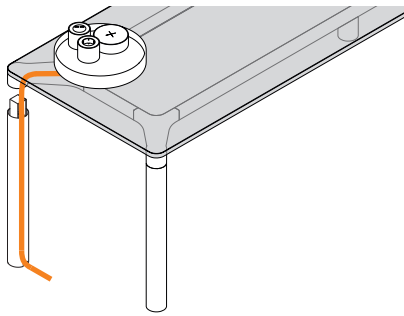
Measurements in mm

## PORTS TABLE OPTIONS

### CABLING

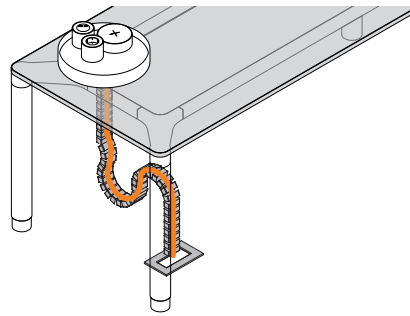
The corresponding cabling packages must be selected separately if an electrically height adjustable table or a cabling option is selected.  
Table cabling packages → pCon products

**Table with fixed height**



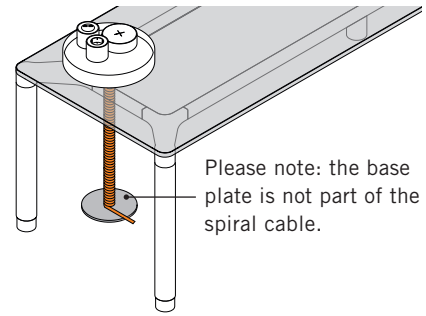
A table leg is provided for cabling, with the starter cable fed through it and then on via the junction.

**Table with electrical height adjustment**



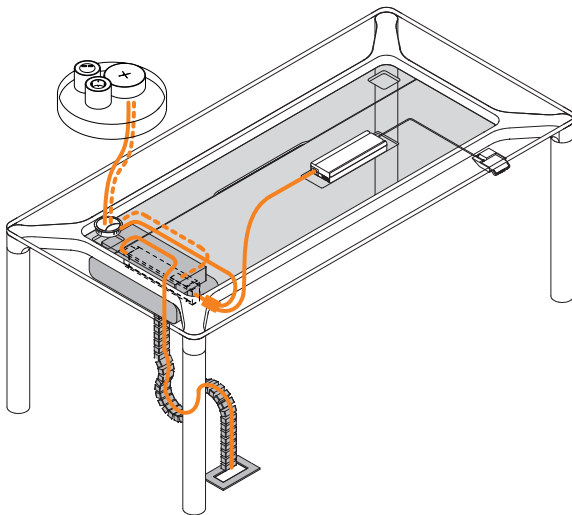
There are two possibilities here:

- Routing the supply lines through a cable chain
- Power starter cable in the form of a cable spiral



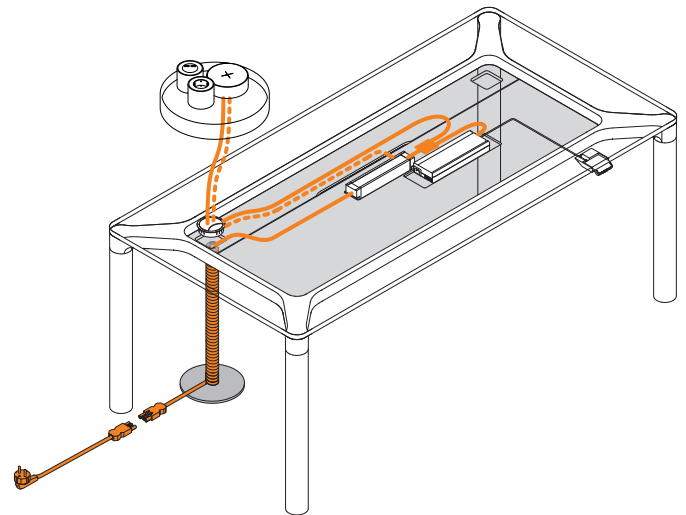
Please note: the base plate is not part of the spiral cable.

**Table with Power Box**



The starter cable docks to a 4-fold connection plug board in the Power Box. Two interconnecting cables continue via a GST18 distributor, with one leading to the controller and one directly to the Power Tray through the cable outlet.

**Table without Power Box**



A 4-fold connection plug board is milled flush with the surface of the base cover. This can be operated by the user from the bottom of the table. The starter cable docks to this 4-fold connection plug board and two interconnecting cables continue via a GST18 distributor, with one leading to the controller and one directly to the Power Tray through the cable outlet.

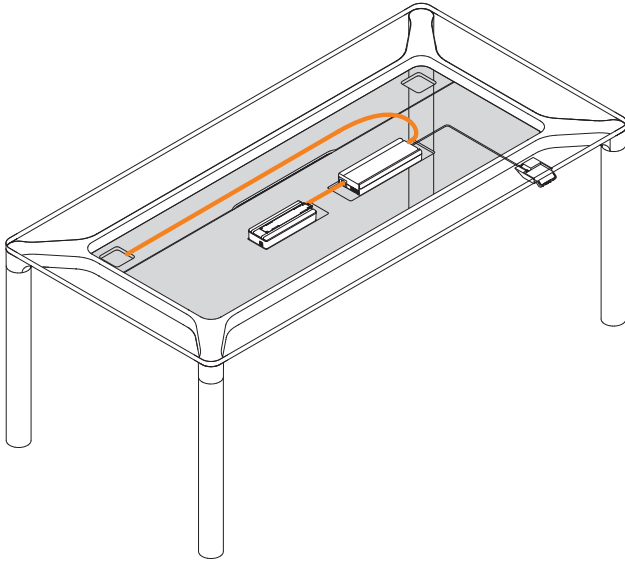
If the Power Tray is equipped with a wireless charger, an additional connection cable is provided from the 4-fold connection plug board to the Power Tray.

## PORTS TABLE OPTIONS

### BATTERY OPERATION

The table can also be equipped with a rechargeable battery for increased flexibility. This results in restrictions, as the cable feed-through, Plugbox and Power Box are no longer possible. The corresponding cabling package must be selected separately if battery operation is selected. Table cabling packages → pCon products

#### Cabling with battery operation

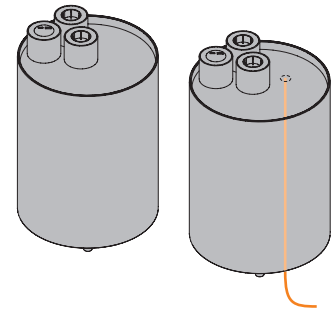


The power starter cable is pulled through the outlet underneath the table for charging when required and can be connected this way to a power source.

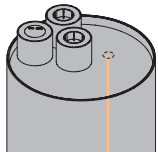
## PORTS SIDE TABLE

Specially developed for free-standing use, it provides storage / power connection options in the immediate vicinity of lounge elements.

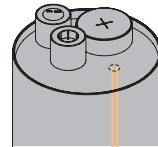
The Side Table consists of veneered shaped wood, depending on the type, there are cylinders made of anodised aluminium fixed onto this.



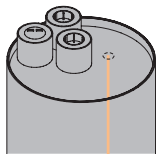
### PORTS Power Tray types with cabling



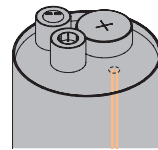
Type 1:  
2 x power socket, 2 x USB charging socket



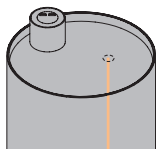
Type 2:  
1 x power socket, 2 x USB charging socket,  
1 x wireless charger



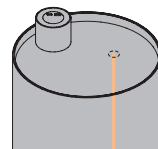
Type 3:  
2 x power socket, 2 x USB Charger (A+C)  
charging port USB-A 18W/USB-C 22W



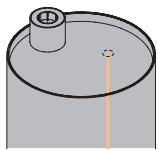
Type 4:  
1 x power socket, 2 x USB Charger (A+C)  
charging port USB-A 18W/USB-C 22W,  
1 x wireless charger



Type 5:  
2 x USB charging socket

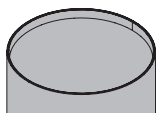


Type 6:  
2 x USB Charger (A+C)  
charging port USB-A 18W/USB-C 22W



Type 7:  
1 x power socket

### PORTS Power Tray types without cabling

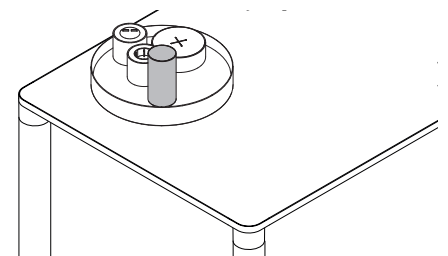


## PORTS ACCESSORIES

### PORTS GLASS

The PORTS Glass has been specially developed for the PORTS Power Tray to store personal items and useful accessories. Position can be freely selected.

Material and colour: Glass, transparent grey.



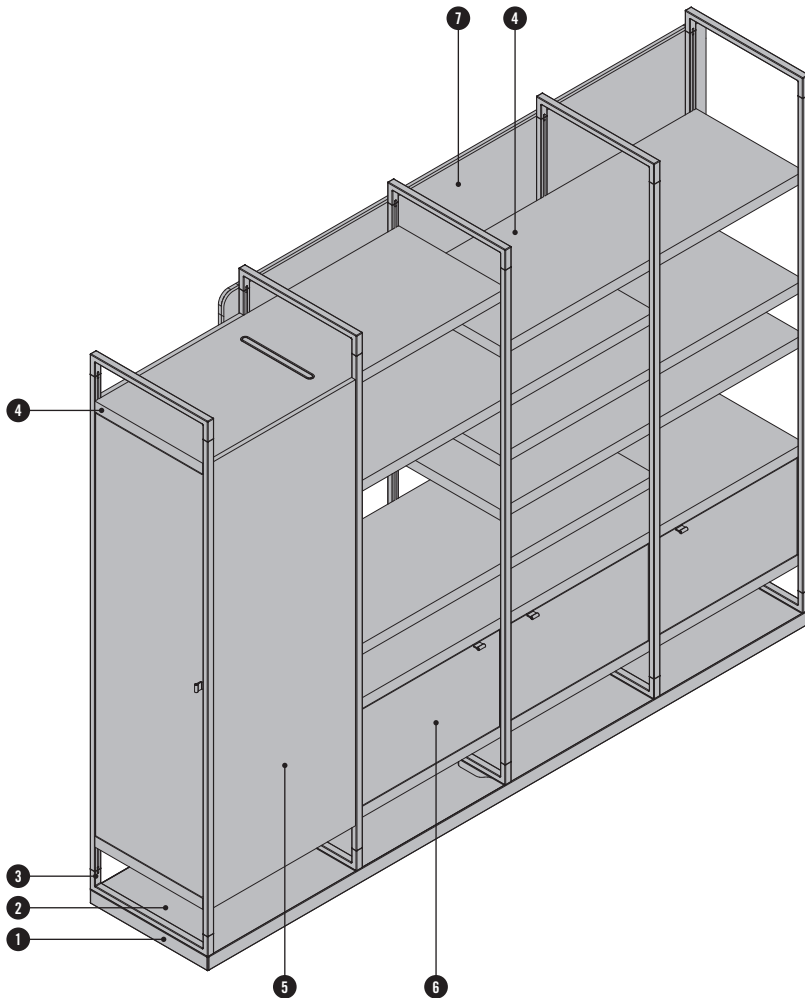
### OVERVIEW AND DIMENSIONS

Side Table	Glass
 <p>Ø: 302 H: 452</p>	 <p>Ø: 60 H: 120</p>

Measurements in mm

## PORTS STORAGE

PORTS Storage can be used for a variety of purposes to structure space: as semi-transparent room dividers, storage space, or as a personal cloak room; complete with a wardrobe, mirror and refrigerator. A pin board, shelves, whiteboard or a screen can be added for extra functionality.

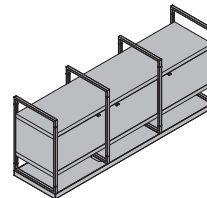


- 1 Base, levelling area 25 mm.
- 2 Cover panels for base, chipboard/MDF 16 mm. One cover panel always has an opening for cable channeling.
- 3 Frame, aluminium.
- 4 Shelf, lightweight panels 38 mm, in four widths.
- 5 Wardrobe cabinet, available with or without a hinged door.
- 6 Storage space, with side panels, middle panels, rear wall and fronts.
- 7 Pinboard.

### Materials for storage space and wardrobe cabinet:

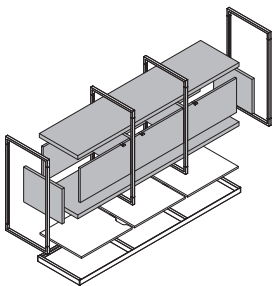
Visible side: Chipboard 25 mm.  
 Middle panel: Chipboard 25 mm.  
 Rear wall: 19 mm chipboard.  
 Front: 19 mm chipboard, with leather strap (colour: "Cognac").

### PORTS Sideboard



The PORTS Sideboard is a 780 mm high shelf unit. It is available in 3 widths.

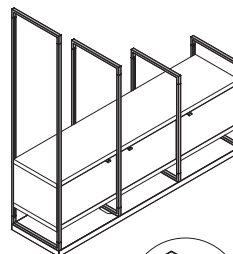
### Storage



Each PORTS Storage has to be equipped with a storage module. This is fixed at the lowest position and stretches across the entire width.

The storage module consists of two shelf bases that are expanded with cabinet modules. It encompasses middle panels, visible sides and fronts. This creates an enclosed storage space.

### Frame



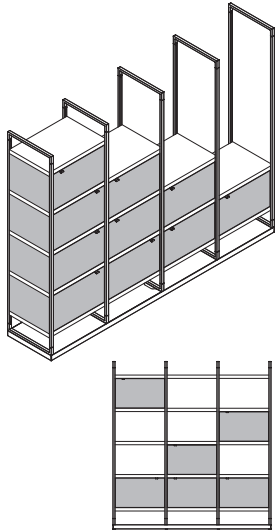
The frames can be configured in four different heights. It is possible to change the height of the PORTS Storage.



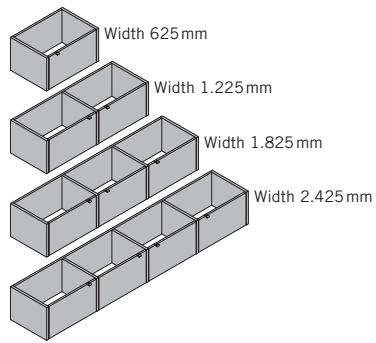
The groove inside the frame has pre-defined assembly points. The brackets for the shelves can be mounted to these.

## PORTS STORAGE

### Cabinet module

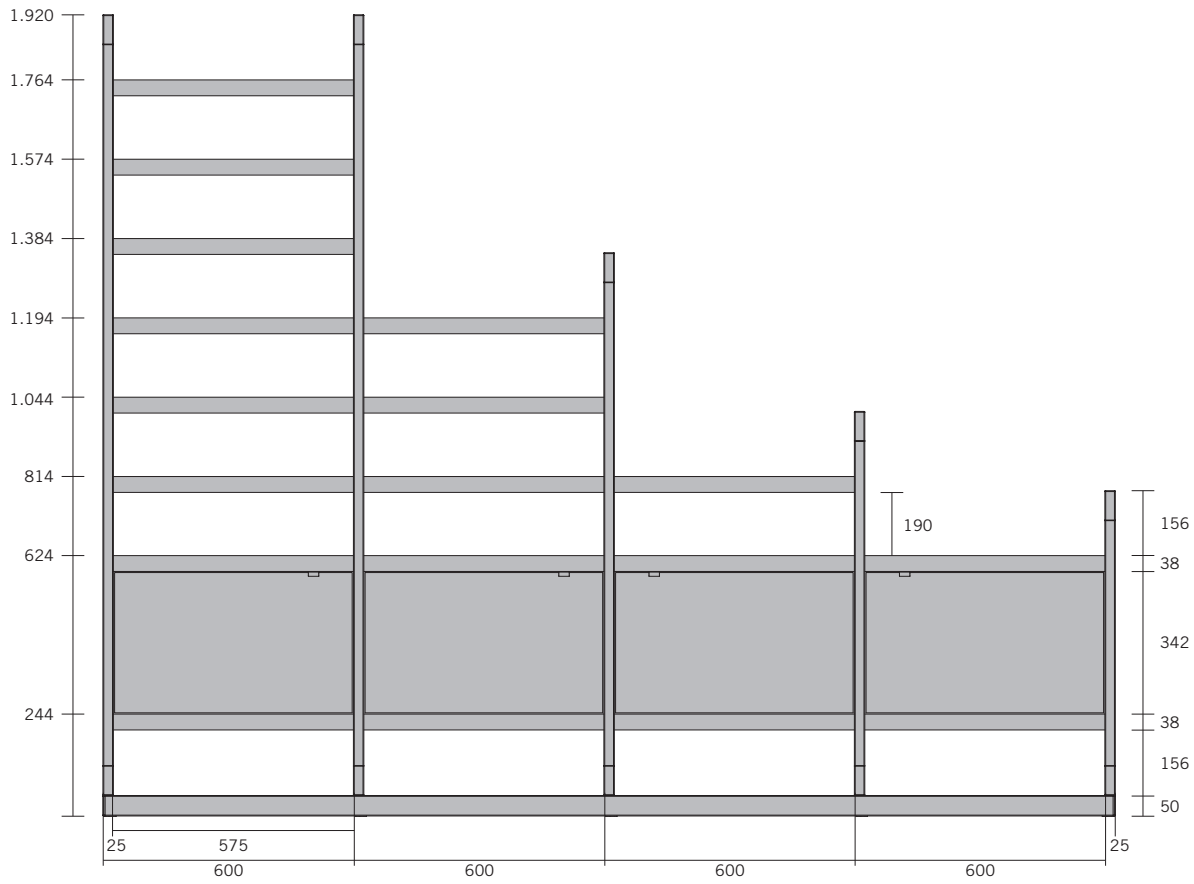


To install a cabinet module, the shelves must be configured at the top and bottom. The cabinet module can be placed in different positions; the desired width must be configured according to the chapter on “Planning instructions”.





# PORTS STORAGE



## OVERVIEW AND DIMENSIONS

### STORAGE

#### PORTS Shelf

1,920  
1,350  
970  
780

1,225      1,825      2,425      2,425

Depth: 475

#### PORTS Sideboard

780

2,425

---

#### Pinboard

910

1,345      1,945      2,545

Depth: 35

#### Whiteboard

910

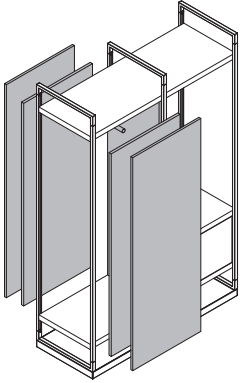
1,345      1,945      2,545

Depth: 18

**Measurements in mm**

## PORTS STORAGE OPTIONS

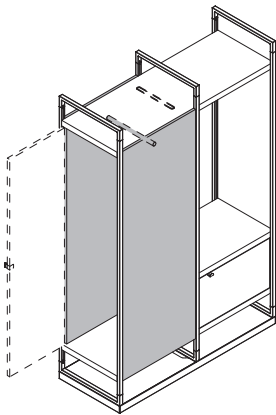
### WARDROBE ELEMENT



The PORTS Shelf must be configured at a height of 1,920 mm when integrating the wardrobe element. The wardrobe can be specified as open or with a hinged door. When selected with a hinged door, ventilation holes are automatically integrated in the top and bottom shelves of the wardrobe.

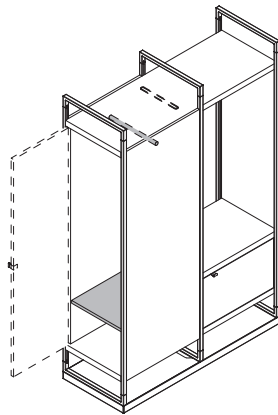
The installation of the wardrobe element also changes the design. A cover panel is added to the visible side, which can be configured differently in the front and back. Options for the covered sides include a melamine or veneer surface, varnished, as a mirror or covered with fabric (pinnable).

Empty



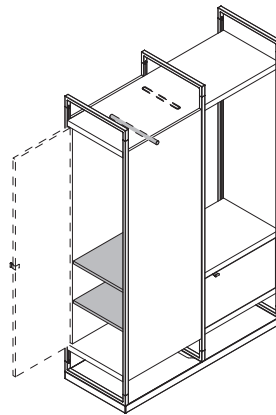
- Coat rod

With a shelf



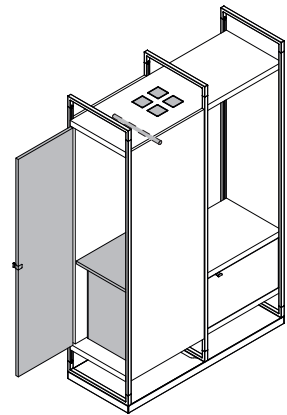
- Coat rod
- Shelf made of 19 mm chipboard, predefined position.

With two shelves



- Coat rod
- Two shelves made of 19 mm chipboard, predefined positions.

Built-in refrigerator

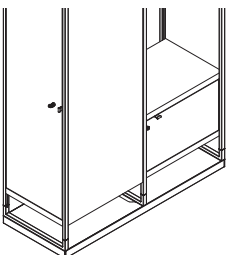


- Coat rod
- Shelf made of 19 mm chipboard, predefined position.
- One refrigerator (must be ordered separately).

Only available in combination with hinged door. Four vent openings in each shelf at the top and bottom.

Coat hanger not included in the delivery.

### LOCK



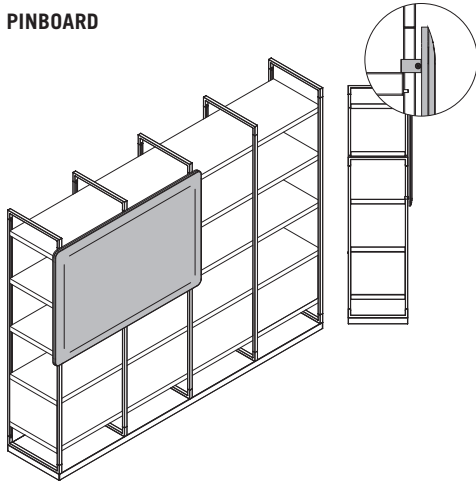
Different options are available for the lock:

- no lock,
- only hinged door cabinet,
- only wardrobe cabinet,
- hinged door and wardrobe cabinet.

It is possible to choose between a mechanical lock (changeable cylinder must be ordered separately) and a battery-operated electronic lock. The electronic lock is only available for the wardrobe cabinet.

## PORTS STORAGE OPTIONS

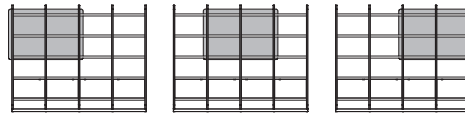
### PINBOARD



The pinboard can be attached to the PORTS Shelf with frame clamps.

Constructive assembly: rear tray made of 8 mm chipboard with fabric cover, front tray made of 16 mm chipboard + 8 mm soft fibreboard, with milled contours and fabric cover.

- Available in 3 widths
- Only possible for a shelf with a height of 1,920 mm
- Possible positions predefined by frame grid

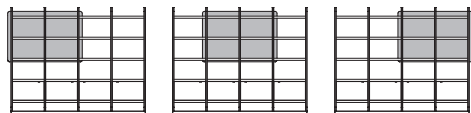
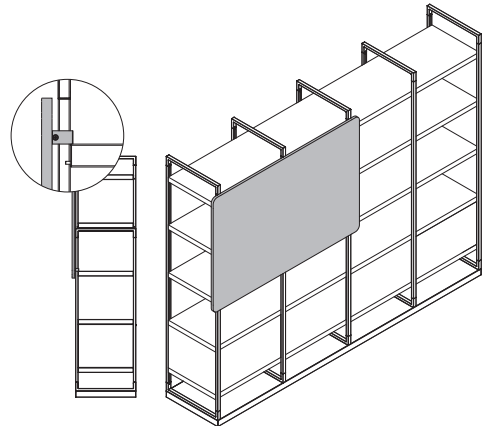


### WHITEBOARD

The whiteboard can be attached to the PORTS Shelf with frame clamps.

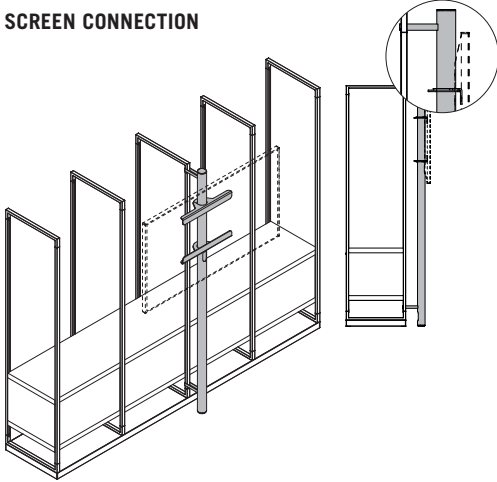
Constructive assembly: 16 mm chipboard covered with laminate.

- Available in 3 widths
- Only possible for a shelf with a height of 1,920 mm
- Possible positions predefined by frame grid



## PORTS STORAGE OPTIONS

### SCREEN CONNECTION



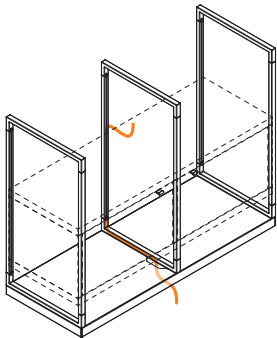
The screen is connected to the PORTS Shelf frame with clamps. The height of the screen holder is predefined (height approx. 1,500 mm) and enables a slight rotation to the side.

- Only possible for a shelf with a height of 1,920 mm
- VESA standard 300x300 and 400x400
- Max. permissible weight of the screen: 55 kg

Screen must be ordered separately → Price list “media hardware” or pCon. products

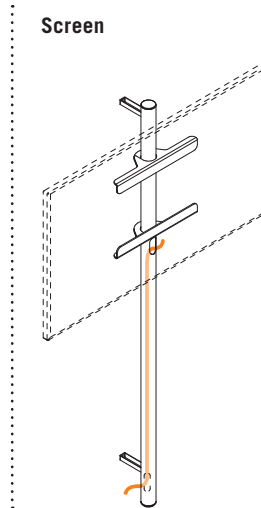
### CABLING

#### PORTS Shelf



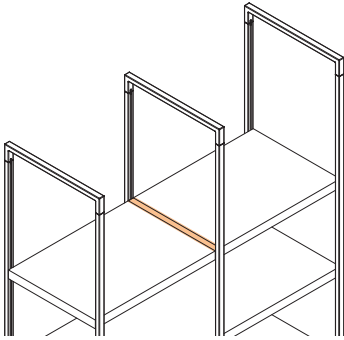
The opening in one of the cover panels in the base allows cables to be fed through. These are routed along the frame.

#### Screen



For the screen wiring, cables are routed through openings in the tube of the screen connection.

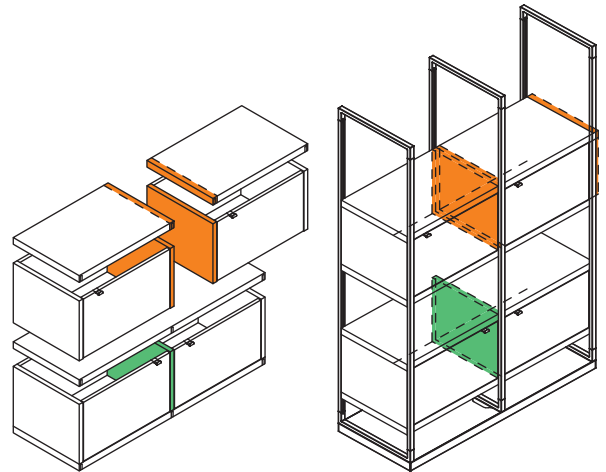
## PORTS PLANNING INSTRUCTIONS



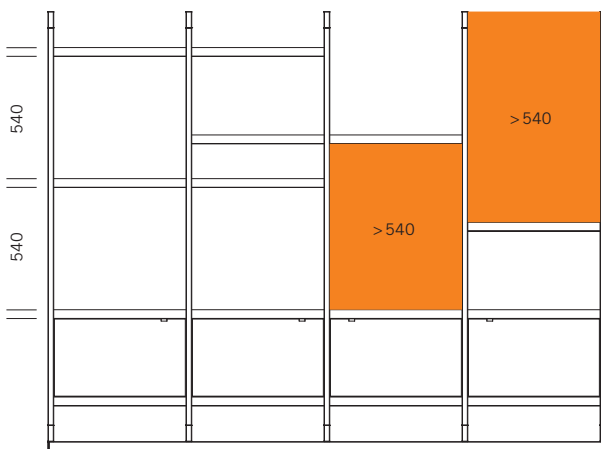
It is not possible to position two individual shelves next to one another on the same level. This is due to the fixing method within the framework. Instead a shelf that spans across several frames should be specified.  
The same applies to cabinet elements or combinations of shelves and cabinet elements.

### CABINET MODULE

If the cabinet module spans across several frames, the width measurement must be changed accordingly.  
It is not possible to position two individual cabinet modules next to one another on the same level. The same applies to cabinet elements or combinations of shelves and cabinet elements.



### NICHE HEIGHT

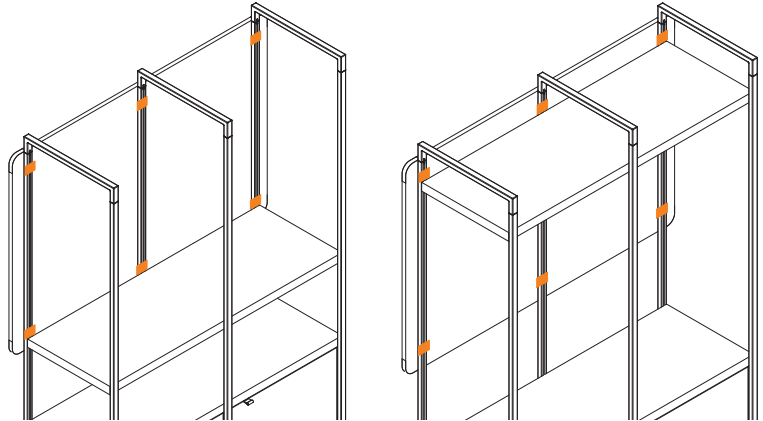


A niche height or overlap of frame must measure a maximum of 540 mm.

## PORTS PLANNING INSTRUCTIONS

### PINBOARD AND WHITEBOARD

To connect a pinboard or whiteboard, a shelf must be inserted at the highest or lowest position. This ensures that the clamps will remain in the right position.



## COLOURS AND MATERIALS

The following materials and colours are available for this product:

- . . . . . available, price acc. to price list
- . . . . . available, price acc. to pCon products
- . . . . . not available

Product	Melamine group 1 basic colours	Melamine group 2 extended basic colours	Veneer group 1	Veneer group 2	Fenix, black	MDF varnished	Fabric PO-P1	Fabric P2-P4	Leather L1-L3	SS Black matt powder-coated	SU Clay matt powder-coated	Burnt amber anodised	Olive anodised	Laminate group 1, MB basalt	Laminate group 2, TM clay	Glass, grey
Lounge Chair, seat + back	-	-	-	-	-	-	•	•	•	-	-	-	-	-	-	-
Active chair, seat + back	-	-	-	-	-	-	•	•	•	-	-	-	-	-	-	-
Sofa, seat + back	-	-	-	-	-	-	•	•	•	-	-	-	-	-	-	-
Stool, seat	-	-	-	-	-	-	•	•	•	-	-	-	-	-	-	-
Four-star base	-	-	-	-	-	-	-	-	-	•	-	-	-	-	-	-
Four-leg base	-	-	-	-	-	-	-	-	-	•	-	-	-	-	-	-
Stool, base <sup>1</sup>	-	-	-	-	-	•	-	-	-	-	-	-	-	-	-	-
Headrest	-	-	-	-	-	-	•	•	•	-	-	-	-	-	-	-
Screen	-	-	•	○	-	-	•	•	-	-	-	-	-	-	-	-
Revolving table	-	-	-	-	•	-	-	-	-	-	-	-	-	-	-	-
Table column	-	-	•	○	-	○	-	-	-	-	-	-	-	-	-	-
Task Lounge metal parts	-	-	-	-	-	-	-	-	-	•	-	-	-	-	-	-
Tabletop	•	•	•	○	•	-	-	-	-	-	-	-	-	-	-	-
Frame	-	-	-	-	-	-	-	-	-	•	•	-	-	-	-	-
Table frame	-	-	-	-	-	-	-	-	-	•	•	-	-	-	-	-
Power box	-	-	-	-	-	-	-	-	-	•	-	-	-	-	-	-
Power Tray <sup>2</sup>	-	-	•	-	-	-	-	-	-	-	-	-	-	-	-	-
Side Table <sup>2</sup>	-	-	•	-	-	-	-	-	-	-	-	-	-	-	-	-
Power Tray  Side Table, cylinder	-	-	-	-	-	-	-	-	-	-	-	•	•	-	-	-
Base + frame	-	-	-	-	-	-	-	-	-	•	•	-	-	-	-	-
Base cover panel	•	•	-	-	-	•	-	-	-	-	-	-	-	-	-	-
Shelf	•	•	•	○	-	•	-	-	-	-	-	-	-	-	-	-
Body of storage space	•	•	•	○	-	•	-	-	-	-	-	-	-	-	-	-
Front of storage space	•	•	•	○	-	•	-	-	-	-	-	-	-	-	-	-
Pinboard	-	-	-	-	-	-	•	•	-	-	-	-	-	-	-	-
Whiteboard	-	-	-	-	-	-	-	-	-	-	-	-	-	•	•	-
Glass	-	-	-	-	-	-	-	-	-	-	-	-	-	-	-	•

<sup>1</sup> only available in SZ black matt

<sup>2</sup> only available in veneer group 1 oak

All veneers and varnished surfaces can also be selected in a matt version.

## INSPIRATIONS



Inspiration #01

---



Inspiration #02



## INSPIRATIONS



Inspiration #03

---



Inspiration #04

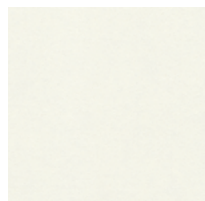
## INSPIRATIONS



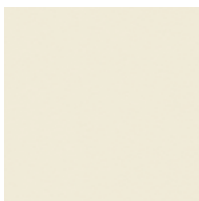
Inspiration #05

## COLOURS & MATERIALS

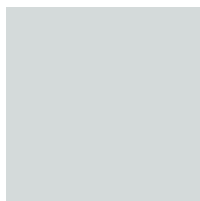
### MELAMINE: Basic colours



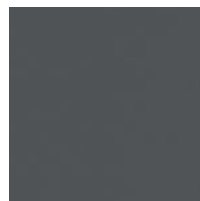
MW white



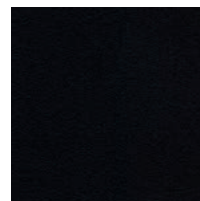
MQ office white <sup>3</sup>



MP platinum <sup>3</sup>

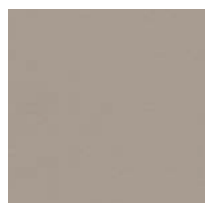


MS slate <sup>3</sup>

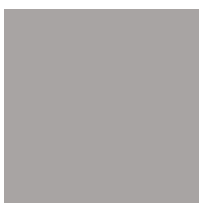


MB basalt

### MELAMINE: Additional basic colours <sup>2</sup>



TM clay

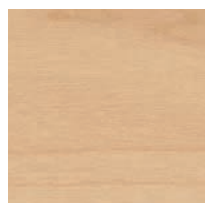


MH stone grey <sup>3</sup>



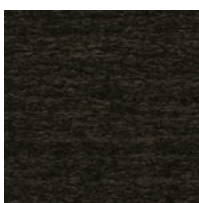
MD urban grey <sup>3</sup>

### VENEER: Maple <sup>1,3</sup>



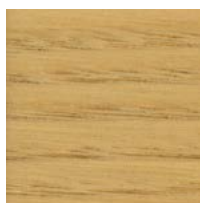
AK canad. maple

### VENEER: Beech <sup>1,3</sup>

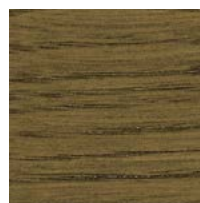


BG beech grey

### VENEER: Chestnut



KD chestnut natural



KP chestnut brown

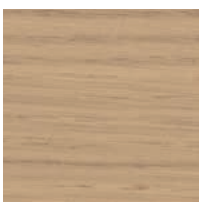


KQ chestnut grey

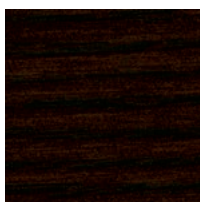
### VENEER: Oak



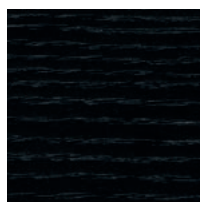
EF oak natural



EY oak sylt



ER oak amaretto

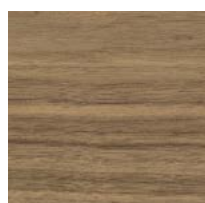


EV oak vulcano



EG oak grey

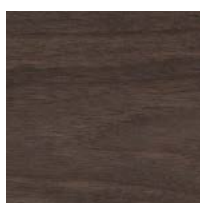
### VENEER: Nut



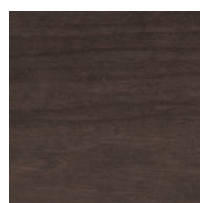
NF americ. walnut



NR waln. siena

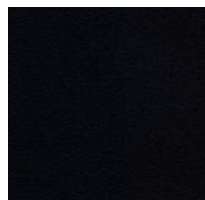


NB waln. umbra



NA w. anhracite

### FENIX



black

<sup>1</sup> Not possible for the Comfort-Edge Table Top and Task Lounge Screen

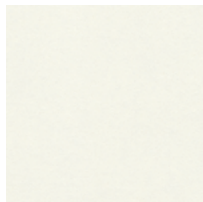
<sup>2</sup> Not available for 13 mm compact board

<sup>3</sup> Not available for PORTS Storage

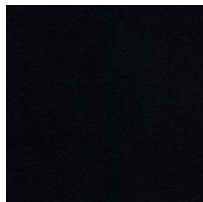
All veneers and varnished surfaces can also be selected in a matt version.

## COLOURS & MATERIALS

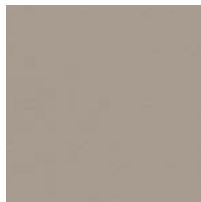
### MDF LACQUERED



WI white



BS basalt



DM clay

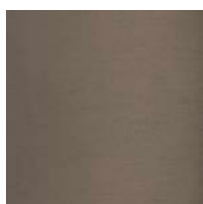
### FABRIC



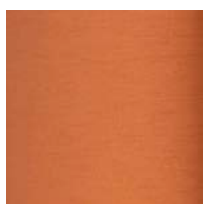
Various material collections are available as cover materials: Rondo, Step, Step Melange, Remix, Europost, Mainline Flax, Assam, Fox, Fiord, Steelcut, Stamskin Top, Hallingdal, Steelcut Trio, Divina Melange, Divina MD, Coda, Elle, Opera, Entrée, Entrée Color or Superior.

More information about the specific collections is available at [www.bene.com](http://www.bene.com).

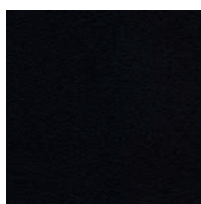
### METAL SURFACE ANODISED



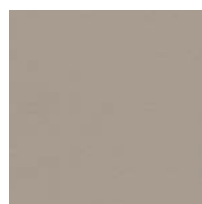
olive



burnt amber



SS black matt



SU clay matt

### LEATHER FOR PORTS ACCESSOIRES



Cognac

