

LEVEL

LIFT YOUR IDEAS

In response to the ergonomic challenges in the workplace, Bene has developed LEVEL LIFT, a new range of height-adjustable desks, that really impresses with their innovative and functional design and high product intelligence. Designed for alternating between sitting and standing, these desks make a significant contribution to keeping the body and mind active, and are available in a variety of designs, colours and surface finishes.

All tables in the LEVEL LIFT family, such as the classic LEVEL LIFT, the exclusive LEVEL LIFT PRO and the height-adjustable double workstation solution LEVEL LIFT TWIN, are progressively height adjustable.

Additionally, and matching the LEVEL LIFT portfolio, LEVEL and LEVEL TWIN, a work desk with a fixed-height, adjustable via a crank or a ratchet system, is available.



bene

INSPIRING OFFICES. SINCE 1790.

LEVEL FAMIY

LEVEL

HEIGHT ADJUSTABLE



LEVEL LIFT



LEVEL LIFT TWIN



LEVEL LIFT PRO

FIXED HEIGHT



LEVEL



LEVEL TWIN

DELTA BY BENE



LEVEL
DELTA BY BENE



LEVEL
DELTA HIGH BY BENE

CLASSIC



LEVEL CLASSIC
FIXED HEIGHT



LEVEL CLASSIC
HEIGHT ADJUSTABLE

LEVEL PURE

HEIGHT ADJUSTABLE



LEVEL LIFT PURE



LEVEL LIFT PURE TWIN

FIXED HEIGHT



LEVEL PURE



LEVEL PURE TWIN

DELTA BY BENE



LEVEL PURE
DELTA BY BENE



LEVEL PURE
DELTA HIGH BY BENE

CLASSIC



LEVEL PURE CLASSIC
FIXED HEIGHT



LEVEL PURE CLASSIC
HEIGHT ADJUSTABLE

LEVEL PURE MEETING

HEIGHT ADJUSTABLE



LEVEL LIFT PURE MEETING
SINGLE- / MULTI-PART TABLETOP



LEVEL LIFT PURE MEETING QUATTRO
SINGLE- / MULTI-PART TABLETOP

FIXED HEIGHT



LEVEL PURE MEETING QUATTRO
SINGLE- / MULTI-PART TABLETOP



LEVEL PURE MEETING
SINGLE- / MULTI-PART TABLETOP



LEVEL PURE MEETING HIGH
SINGLE- / MULTI-PART TABLETOP

DELTA BY BENE



LEVEL PURE MEETING DELTA
SINGLE- / MULTI-PART TABLETOP



LEVEL PURE MEETING DELTA HIGH
SINGLE- / MULTI-PART TABLETOP

ELECTRIC HEIGHT ADJUSTMENT

RASTOMAT

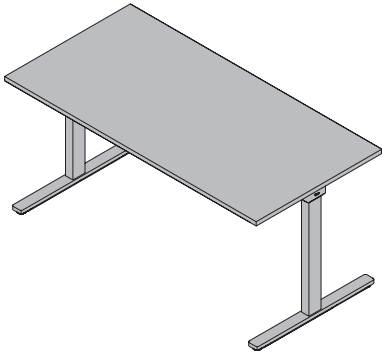
ALSO AVAILABLE WITH
ROUND COLUMN DESIGN

ALSO AVAILABLE WITH DELTA WOOD DESIGN

PRODUCT DESCRIPTION

The LEVEL family is divided into four table types.

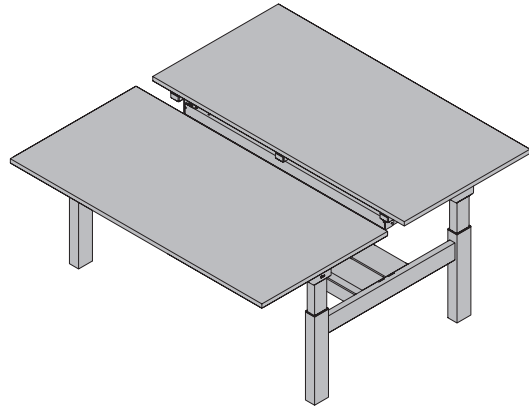
LEVEL



LEVEL variants

- without height adjustment
- height adjustment by crank
- height adjustment by rastomat

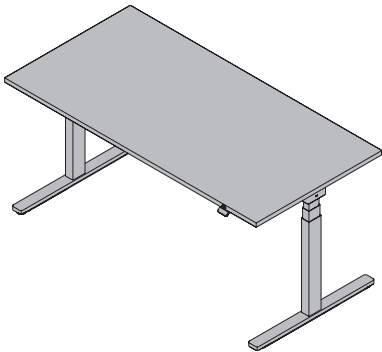
LEVEL TWIN



LEVEL TWIN variants

- without height adjustment
- height adjustment by crank
- height adjustment by rastomat

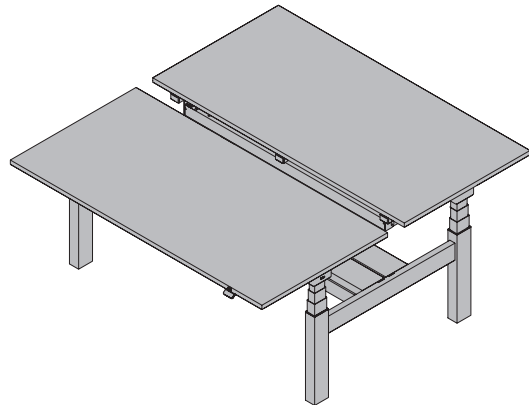
LEVEL LIFT



LEVEL LIFT variants

- height adjustment by manual switch

LEVEL LIFT TWIN



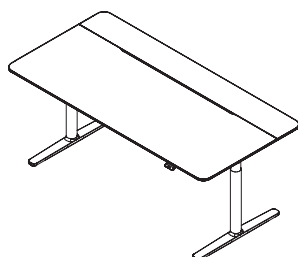
LEVEL LIFT TWIN variants

- height adjustment by manual switch

LEVEL LIFT PRO

A LEVEL LIFT with high quality materials and design values.

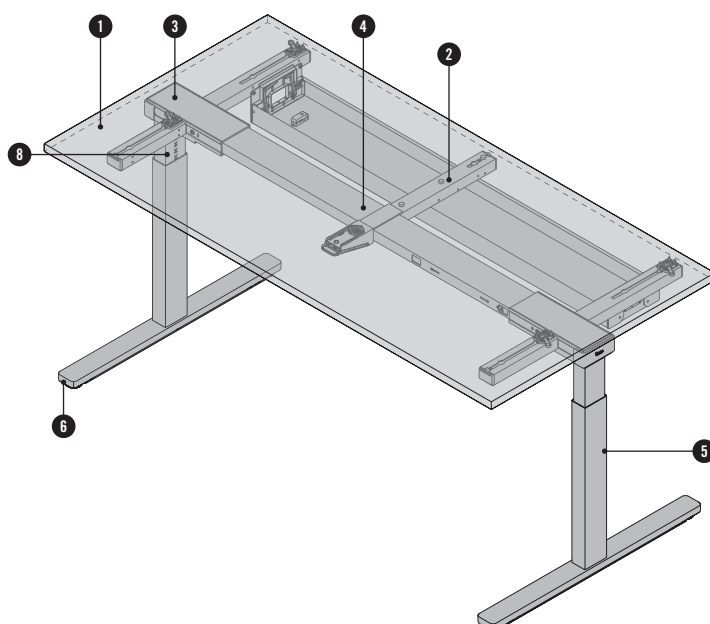
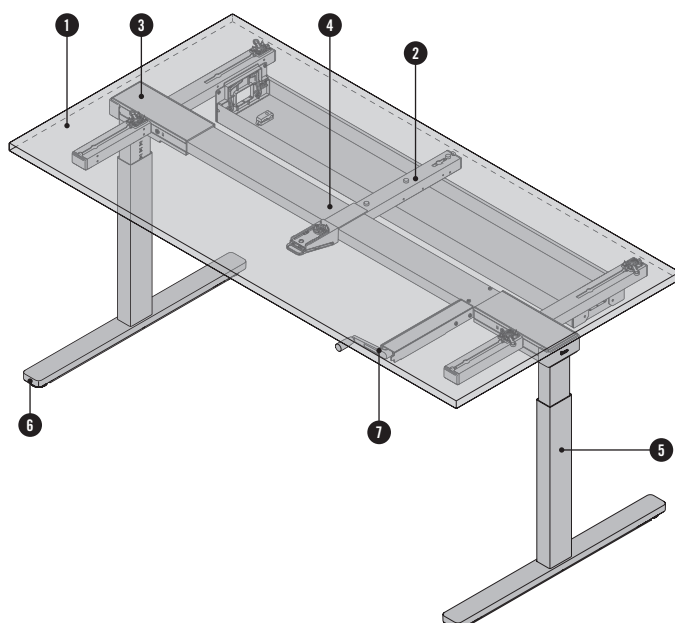
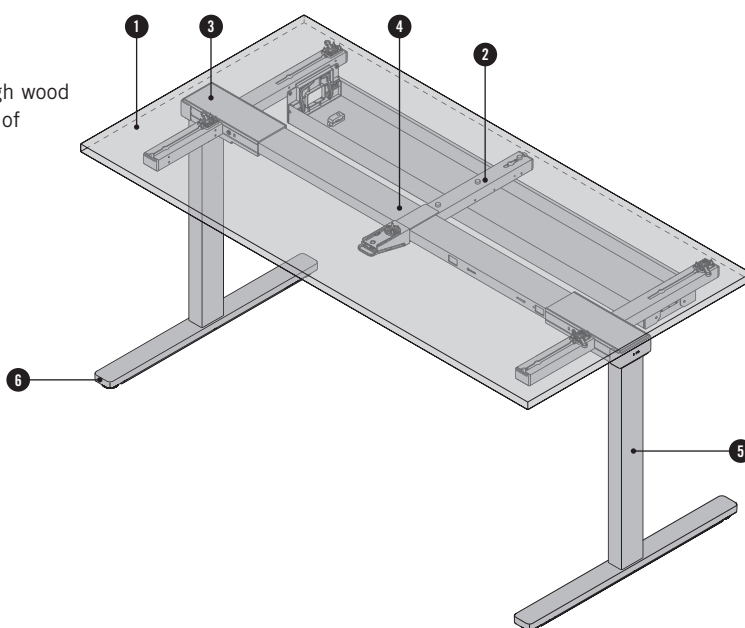
- MDF table top with waterfall edge
- Fenix black
- nanotech matte surface
- round column
- manual switch Premium BT
- divided sliding top
- frame panel



PRODUCT DESCRIPTION - LEVEL

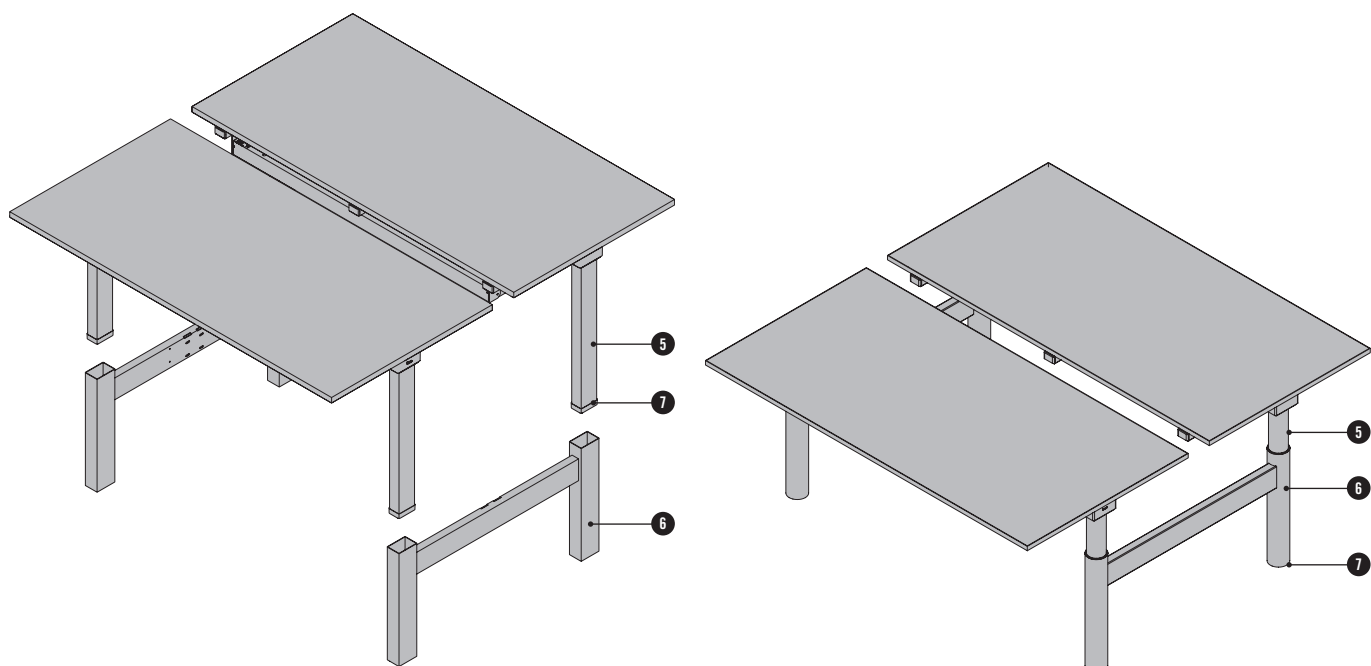
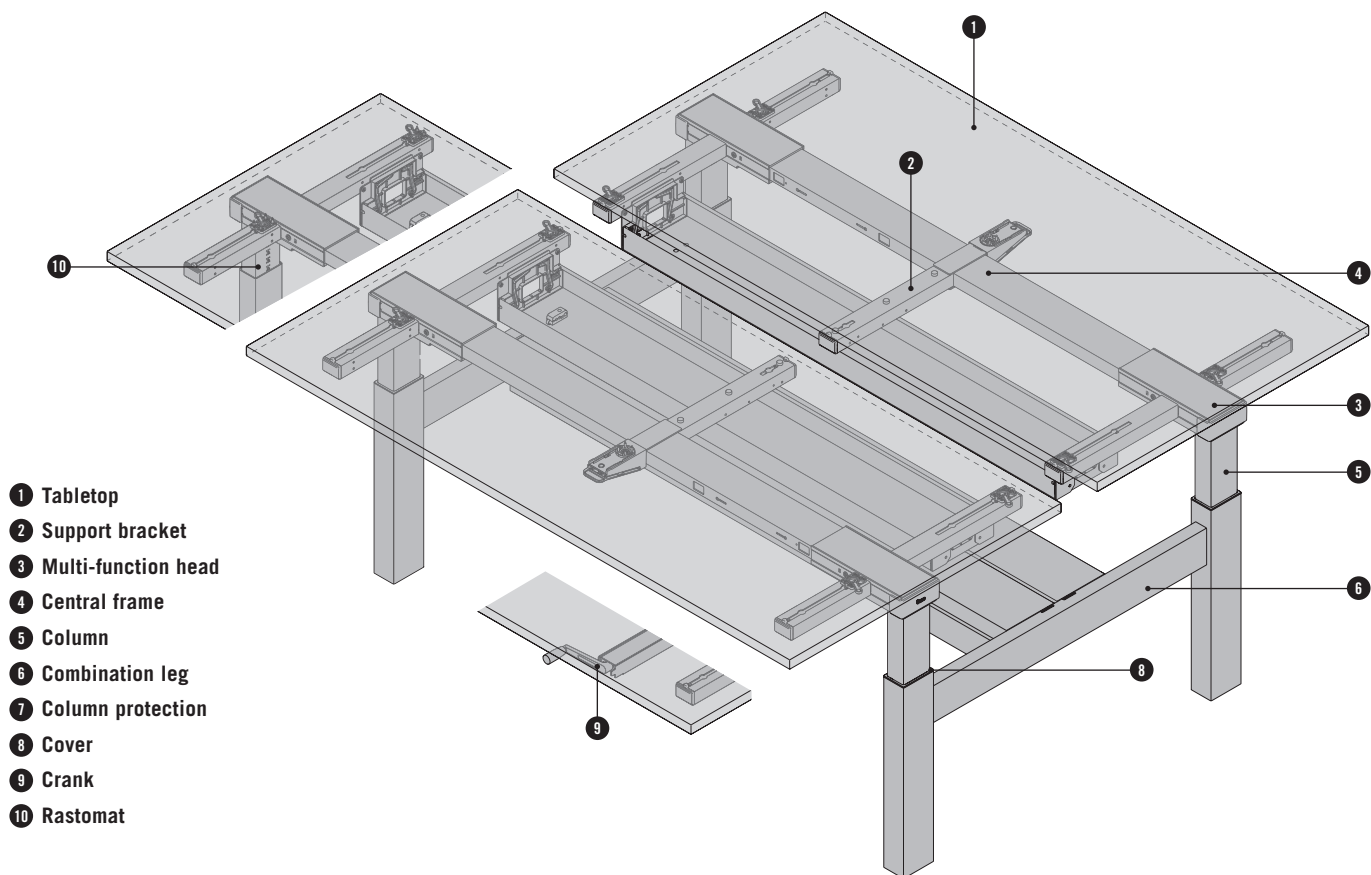
T-leg, C-leg, Classic, Delta, Delta wood, Delta High or Delta High wood frame with 10 mm floor compensation, various tabletop shapes of 13 mm, 19 mm, or 25 mm thickness and 2 mm or 3 mm edge.

- 1 Tabletop
- 2 Support bracket
- 3 Multi-function head
- 4 Central frame
- 5 Column
- 6 Cantilever leg
- 7 Crank
- 8 Rastomat



PRODUCT DESCRIPTION - LEVEL TWIN

T-leg frame with 10 mm floor compensation, various tabletop shapes of 13 mm, 19 mm, or 25 mm thickness and 2 mm or 3 mm edge.

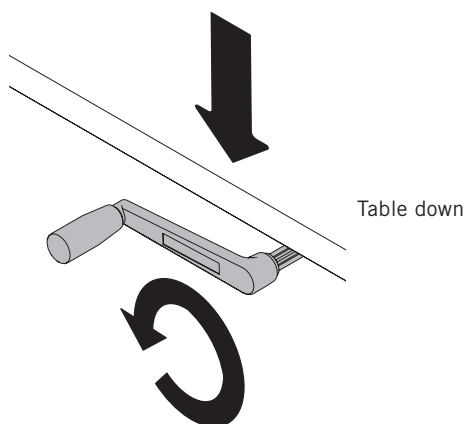
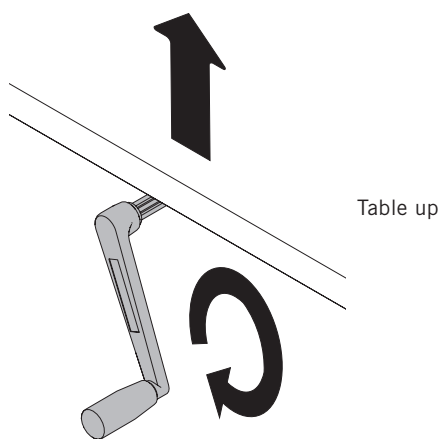
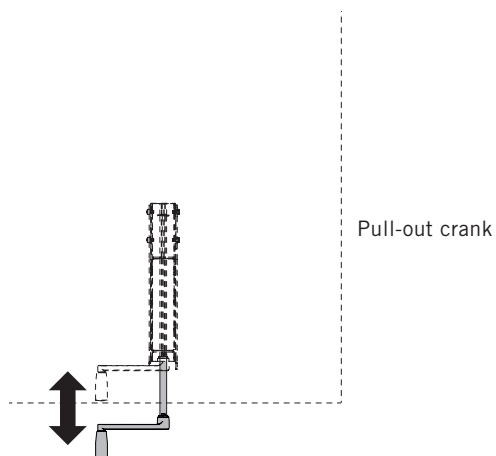


PRODUCT DESCRIPTION - LEVEL/LEVEL TWIN

Tables without height adjustment have a fixed height of 740 mm.

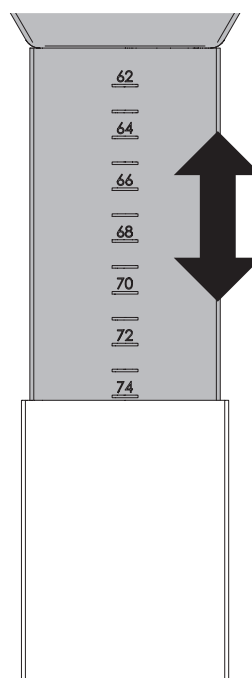
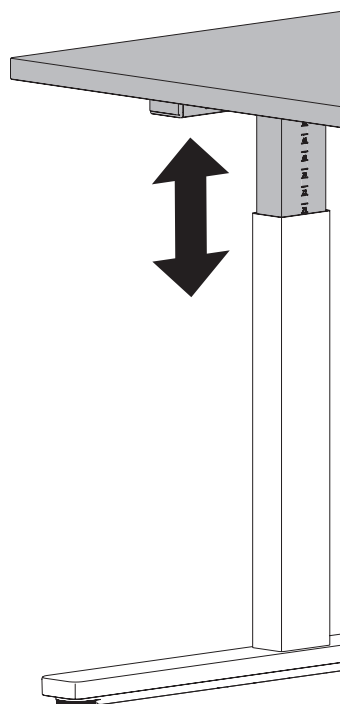
HEIGHT ADJUSTMENT BY CRANK

- Range of height adjustment: 620 - 860 mm
- Colour crank: black



HEIGHT ADJUSTMENT BY RASTOMAT

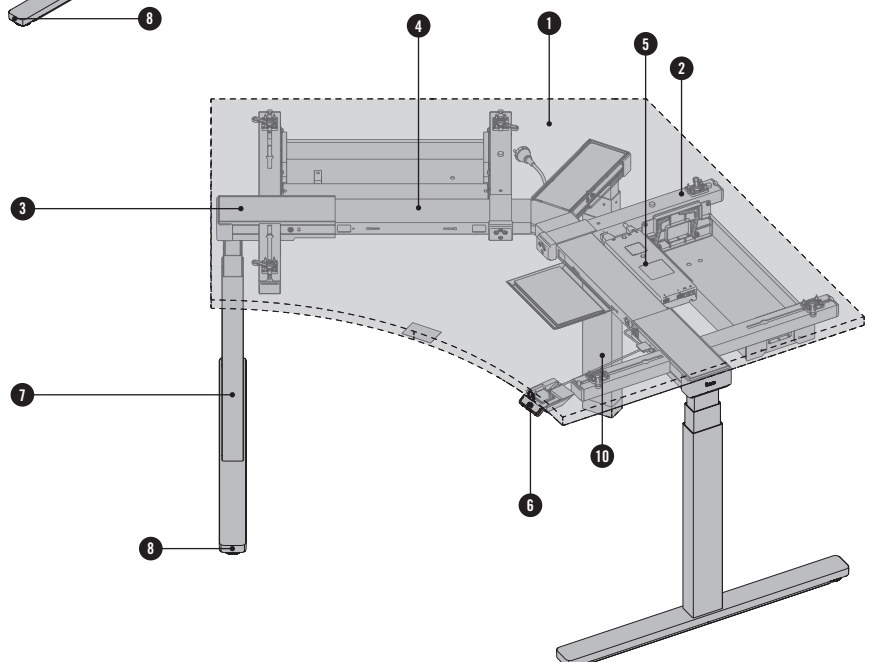
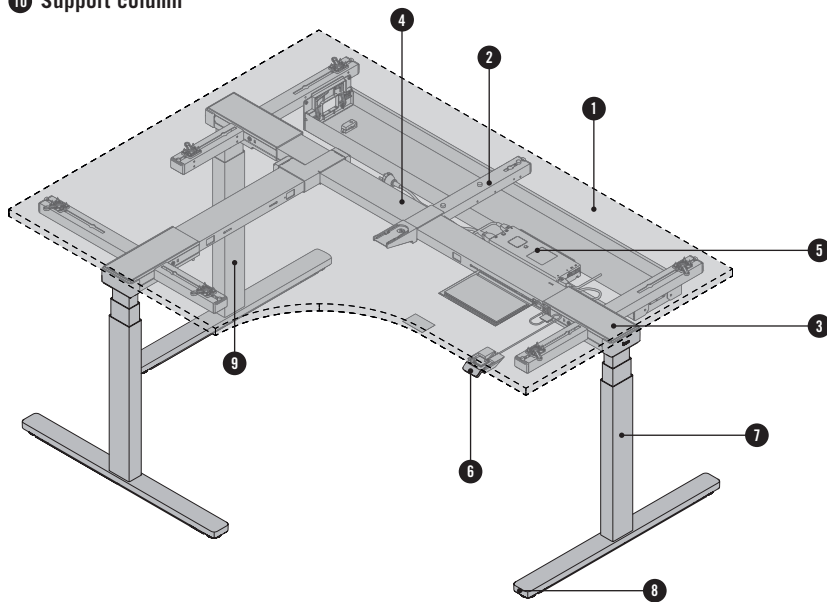
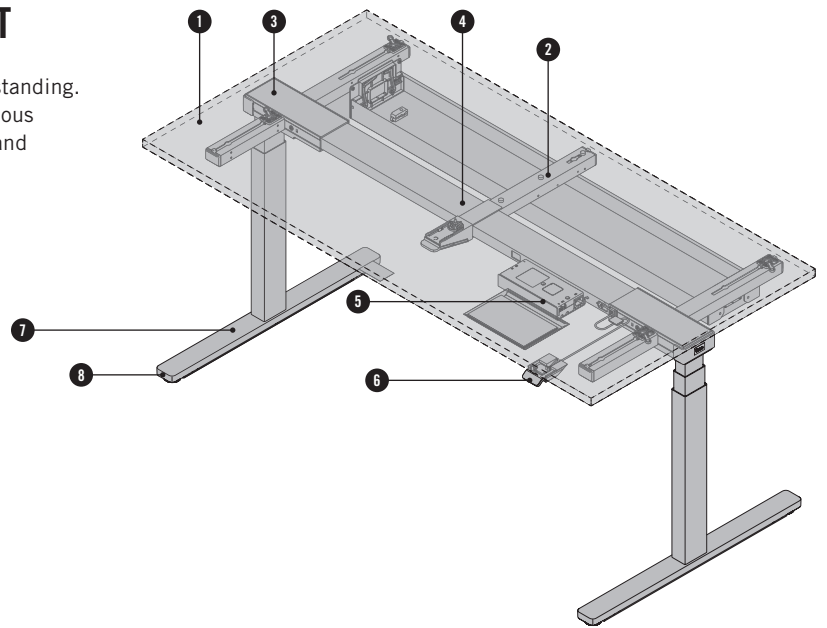
- Range of height adjustment: 620 - 860 mm
- without tool



PRODUCT DESCRIPTION - LEVEL LIFT

A solid desk for alternating at work between sitting and standing. T-leg or C-leg frame with 10 mm floor compensation, various tabletop shapes of 13 mm, 19 mm, or 25 mm thickness and 2 mm or 3 mm edge.

- 1 Tabletop
- 2 Support bracket
- 3 Multi-function head
- 4 Central frame
- 5 Control unit or power supply unit
- 6 Manual switch
- 7 Lift column
- 8 Cantilever leg
- 9 Corner column
- 10 Support column

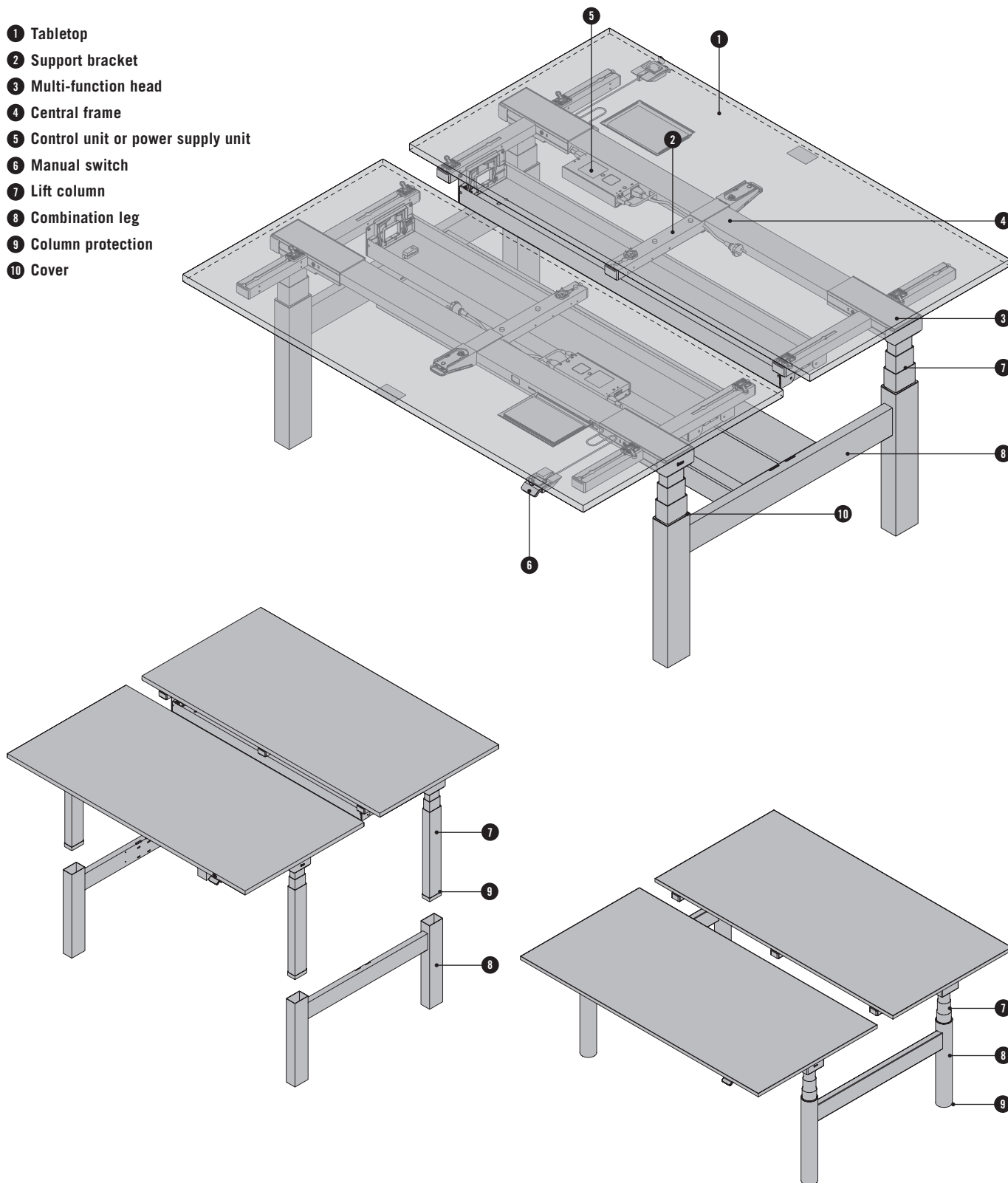


The warranty period is five years. Covered by Bene's warranty conditions (Bene product warranty DB-ZFP-400).

PRODUCT DESCRIPTION - LEVEL LIFT TWIN

T-leg frame with 10 mm floor compensation, various tabletop shapes of 13 mm, 19 mm, or 25 mm thickness and 2 mm or 3 mm edge.

- ① Tabletop
- ② Support bracket
- ③ Multi-function head
- ④ Central frame
- ⑤ Control unit or power supply unit
- ⑥ Manual switch
- ⑦ Lift column
- ⑧ Combination leg
- ⑨ Column protection
- ⑩ Cover



The warranty period is five years. Covered by Bene's warranty conditions (Bene product warranty DB-ZFP-400).

PRODUCT DESCRIPTION - LEVEL LIFT/LEVEL LIFT TWIN

COLUMN TYPES

The following types of columns are used for LEVEL LIFT/LEVEL LIFT TWIN.

TWO-PART/THREE-PART TELESCOPIC RECTANGULAR COLUMN WITH BASIC COLLISION PROTECTION

- with visible glides
- Stroke length 495/660 mm
- Lifting capacity 500 N / column
- with software protection against uncontrolled movement
- Control system integrated into column Master/slave system (two different columns per desk)
- Manual switch is connected directly to the master column
- Requires external power supply unit

POWER SUPPLY UNIT FOR COLUMN WITH BASIC PROTECTION AGAINST UNCONTROLLED MOVEMENT

Maximum load 75 kg

(PC, PC holder, T-Panel, etc. must be included in the calculation!)

Type

- Power supply input 100V AC to 240V AC, 50 Hz/60 Hz
- Maximum on-time 2 min. on, 18 min. off
- Protection category II
- Noise ~46 dB
- Upward lift speed 38 mm/s

Reference values for power consumption

| | Load | Power consumption |
|---------------|-------|-------------------|
| · Stand-by | | < 0,1 watts |
| · Upward lift | 75 kg | 175 watts |

THREE-PART TELESCOPIC RECTANGULAR COLUMN/ROUND COLUMN WITH INCREASED COLLISION PROTECTION

- without visible glide
- Stroke length 660 mm
- Lifting capacity 800 N/column
- With sensor/protection against uncontrolled movement, integrated into column
- Separate control system with power lead
- Two/three identical columns per desk
- Manual switch is connected to control system

CONTROL SYSTEM FOR COLUMN WITH INCREASED PROTECTION AGAINST UNCONTROLLED MOVEMENT

Maximum load 100 kg

(PC, PC holder, T-Panel, etc. must be included in the calculation!)

Type

- Power supply input 230 V AC, 50 Hz
- Maximum on-time 2 min. on, 18 min. off
- Protection category II
- Noise ~43 dB
- Upward lift speed 38 mm/s

Reference values for power consumption

| | Load | Power consumption |
|---------------|--------|--------------------------|
| · Stand-by | | < 0,1 watts |
| · Upward lift | 100 kg | max. 300 watts/450 watts |

LEVEL LIFT WITH ATTACHMENT TABLE THREE-PART TELESCOPIC RECTANGULAR COLUMN/ROUND COLUMN WITH INCREASED COLLISION PROTECTION

- without visible glide
- Stroke length 660 mm
- Lifting capacity 800 N/column
- With sensor/protection against uncontrolled movement, integrated into column
- Separate control system with power lead
- Two/three identical columns per desk
- Manual switch is connected to control system

CONTROL SYSTEM FOR UP TO THREE COLUMNS WITH INCREASED PROTECTION AGAINST UNCONTROLLED MOVEMENT

Maximum load 100 kg

(PC, PC holder, T-Panel, etc. must be included in the calculation!)

Type

- Power supply input 230 V AC, 50 Hz
- Maximum on-time 2 min. on, 18 min. off
- Protection category II
- Noise ~43 dB
- Upward lift speed 38 mm/s

Reference values for power consumption

| | Load | Power consumption |
|---------------|--------|--------------------------|
| · Stand-by | | < 0,1 watts |
| · Upward lift | 100 kg | max. 300 watts/450 watts |

PRODUCT DESCRIPTION - LEVEL LIFT/LEVEL LIFT TWIN

MANUAL SWITCH LIGHT

Dimension: W: 65,8mm, H: 25,2mm
Colour: Black
Functions: up/down function, intuitively operated element



MANUAL SWITCH BASIC BT

Dimension: W: 65,8mm, H: 25,2mm
Colour: Black
Functions: up/down function, intuitively operated element, reminder function through LED diode, 2 saved positions, pedestal/shelf stop, Bluetooth®



LED diode

MANUAL SWITCH PREMIUM BT

Dimension: W: 78,8mm, H: 25,2mm
Colour: Black
Functions: up/down function, intuitively operated element, reminder function through LED lighting strip, 4 saved positions, pedestal/shelf stop, display, Bluetooth®



Intuitive operation

The manual switches are operated with a tilting function rather than through buttons, so that the desk can be adjusted without looking.

Motivating reminder function

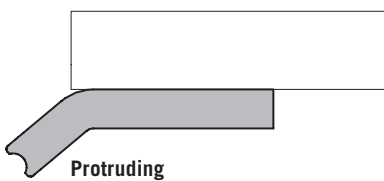
The manual switches Basic BT and Premium BT have an integrated reminder function. These indicate the status of the desk usage either with a green or orange colour. When it's time to change positions, the colour changes. The intervals can be preset or customised.

Digital integration

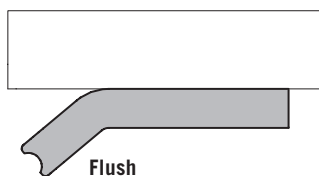
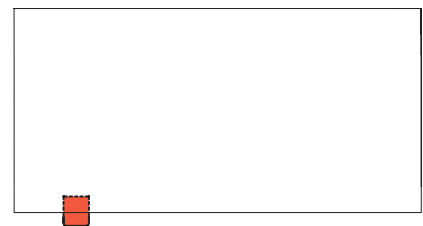
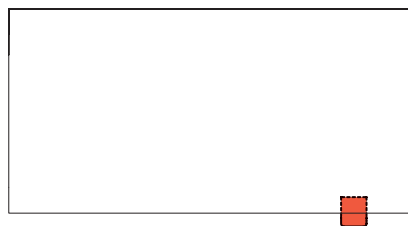
The integrated Bluetooth® technology makes it possible to connect the manual Basic BT and Premium BT switches with the Desk Control™ app. The app is available for Android and iOS mobile devices.

MANUAL SWITCH POSITIONS

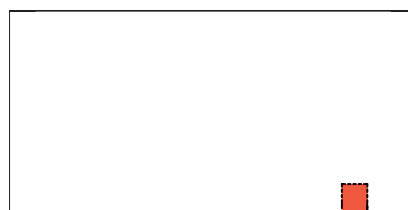
It is possible to choose the positioning of the switch, as either protruding or flush with the table top, and either on the left or right-hand side of the desk.



Protruding



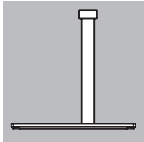
Flush



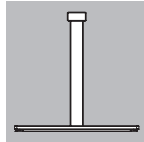
FRAME TYPES

Available in black, white, or aluminium. Levelling: +10 mm with adjustment screws

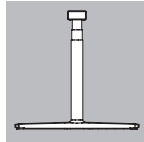
C-leg, rectangular
powdered 80x50 mm
steel profile pipe,
cantilever legs: die-cast
aluminium frame



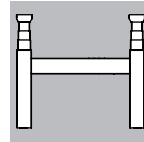
T-leg, rectangular
powdered 80x50 mm
steel profile pipe,
cantilever legs: die-cast
aluminium frame



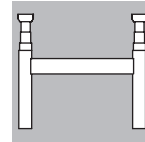
T-leg, round
powdered Ø70 mm steel
profile pipe,
cantilever legs: die-cast
aluminium frame



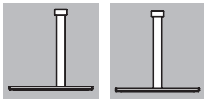
rectangular column
powdered 99,5x60 mm
steel profile pipe



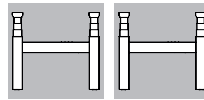
round column
powdered 99,5x80 mm
steel profile pipe



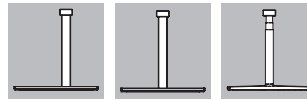
LEVEL



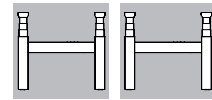
LEVEL TWIN



LEVEL LIFT

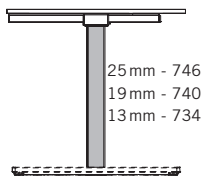


LEVEL LIFT TWIN



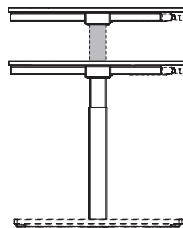
HEIGHT ADJUSTMENT

1-part column
fixed height



25 mm - 746
19 mm - 740
13 mm - 734

for 2-part column
crank, rastomat

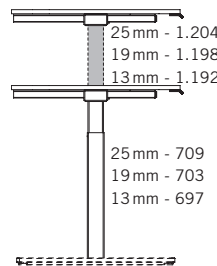


25 mm - 866
19 mm - 860
13 mm - 854

25 mm - 626
19 mm - 620
13 mm - 614

HEIGHT ADJUSTMENT

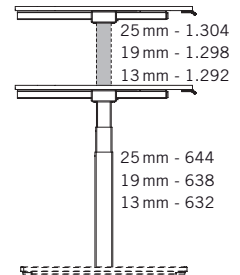
for 2-part column



25 mm - 1.204
19 mm - 1.198
13 mm - 1.192

25 mm - 709
19 mm - 703
13 mm - 697

for 3-part column



25 mm - 1.304
19 mm - 1.298
13 mm - 1.292

25 mm - 644
19 mm - 638
13 mm - 632

NOTE

Frame type ¹

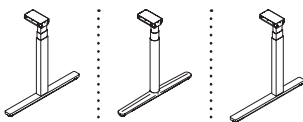


Table depth

| | | | |
|-------|---|---|---|
| 600 | x | | |
| 700 | x | | |
| 800 | x | x | x |
| 900 | x | x | x |
| 1.000 | x | x | x |

Tabletop shapes

| | | | |
|----|---|--|----------------|
| K1 | x | | x ² |
| W3 | x | | x |

¹ Cantilever leg length changes depending on depth.

² The corner column with an extension dimension of 600 mm, is designed as a T-leg.

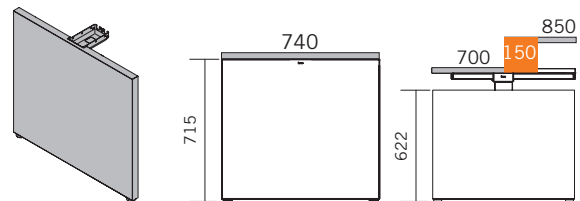
³ Only possible with 3-part column with increased collision protection.

FRAME TYPES

The heights shown all refer to the upper edge of the desk when 25 mm chipboard is being used.
In the case of 19 mm chipboard and 13 mm compact top, the desk height is reduced accordingly.

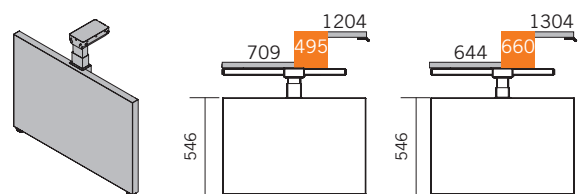
CLASSIC^{1,2}

- Thickness of slab-end 38 mm, chipboard for melamine, 39 mm, chipboard for veneer, fastening construction and cover plate made of steel
- Levelling: +10 mm by means of adjustment leg
- Range of height adjustment: 740 mm fix or in 20 mm grid with tool



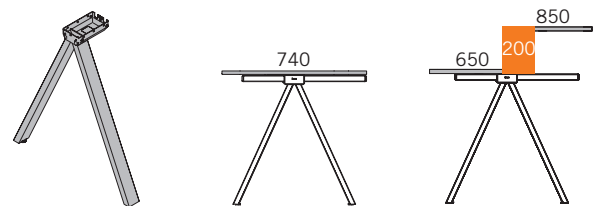
CLASSIC LIFT^{1,2}

- Thickness of slab-end 38 mm, chipboard for melamine, 39 mm, chipboard for veneer, fastening construction and cover plate made of steel
- Levelling: +10 mm by means of adjustment leg
- Range of height adjustment: 2-part column 709 - 1.204 mm
3-part column 644 - 1.304 mm



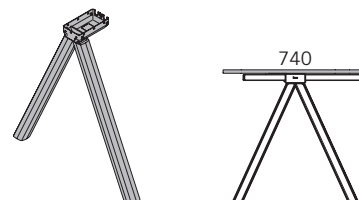
DELTA

- Rectangular pipe 60 x 30 mm, steel
- Levelling: +10 mm by means of adjustment leg
- Range of height adjustment: 740 mm fixed or height adjustable between 650 - 850 mm



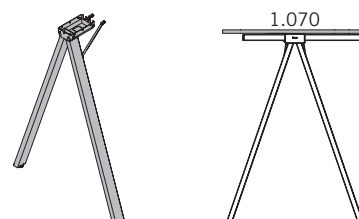
DELTA WOOD

- Wooden tube 57 x 53.5 mm, to steel pipe
- Levelling: +10 mm by means of adjustment leg
- Range of height adjustment: 740 mm fixed



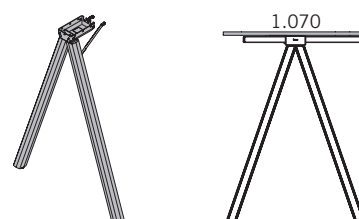
DELTA HIGH

- Rectangular pipe 60 x 30 mm, steel
- Levelling: +10 mm by means of adjustment leg
- Range of height adjustment: 1.070 mm fixed



DELTA HIGH WOOD

- Wooden tube 57 x 53.5 mm, to steel pipe
- Levelling: +10 mm by means of adjustment leg
- Range of height adjustment: 1.070 mm fixed



¹ not possible in combination with desktop shape rectangle RE with Soft Edge

² not possible in combination with communication segment and extension fitting (only valid for Classic frame with fixed height)

OVERVIEW AND DIMENSIONS

TABLETOP

19 mm/25 mm chipboard, 13 mm compact tabletop or 25 mm MDF

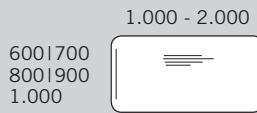
TABLETOP SHAPES - BASIC TABLES

LEVEL & LEVEL LIFT

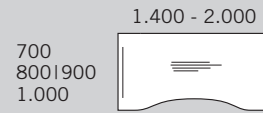
Rectangular RE



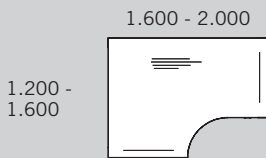
Rectangular RE with Soft Edge



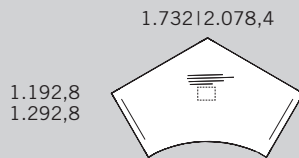
User side rounded NG



Combination desk K1

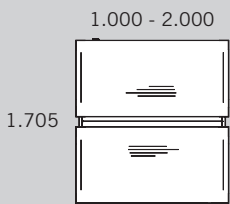


Angle desk W3

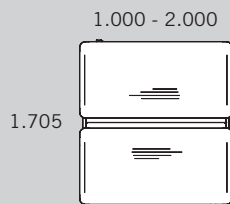


LEVEL TWIN & LEVEL LIFT TWIN

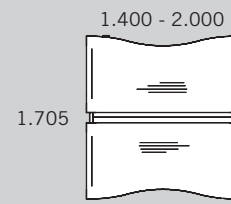
Rectangular RE



Rectangular RE with Soft Edge



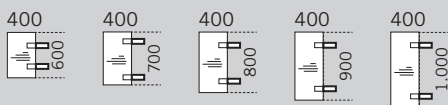
User side rounded NG



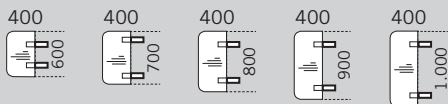
TABLETOP SHAPES - COMMUNICATION SEGMENTS ¹

LEVEL/LEVEL LIFT

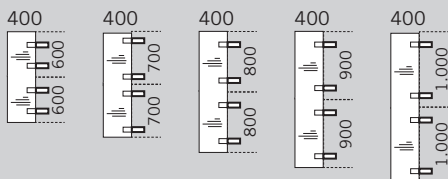
Lateral over 1 table rectangular MV



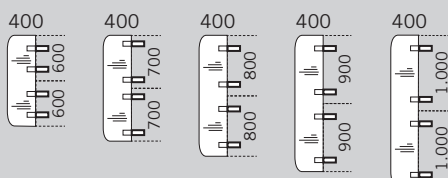
Lateral over 1 table rounded MU



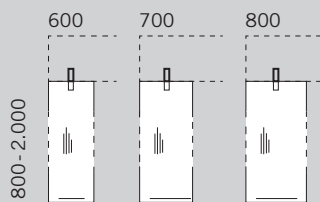
Lateral over 2 tables rectangular ME ²



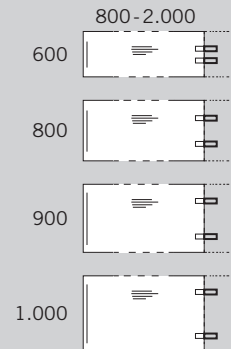
Lateral over 2 tables rounded MR ²



Attachment table ⁴



Further installation desk ³



¹ not possible in combination with Classic frame with fixed height

² only available for LEVEL

³ only available for LEVEL (fixed and rastomat) with the table top shapes RE, NG, K1, W3, not in combination with RE with Soft Edge

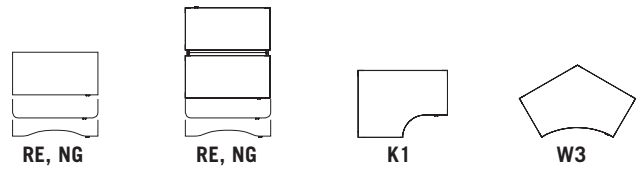
⁴ LEVEL LIFT with attachment table, main table must be equipped with increased collision protection! When refitting an attachment table, the 2-channel control must be replaced by a 3-channel control.

⁵ Delta frame: seat height from depth of 700 mm, standing height from depth of 800 mm

Measurements in mm

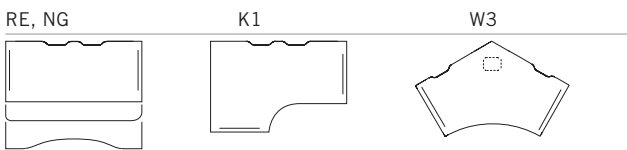
OPTIONS

Options for LEVEL, LEVEL LIFT, LEVEL TWIN and LEVEL LIFT TWIN. The following are available for these tabletop shapes. The properties of the options always apply for one tabletop.

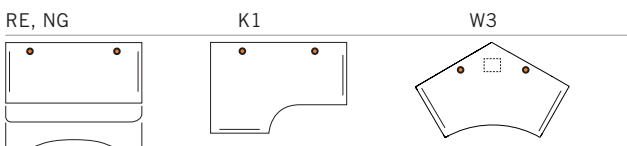


| Options | RE, NG | RE, NG | K1 | W3 |
|---------------------------------------|--------|--------------|-------------------|--------------|
| Cable gap | • | • | • | • |
| Grommet hole | • | • | • | • |
| Tiltable cable tray L | • | • | only visitor side | • |
| Cable chain | • | • | • | • |
| Plug board bracket for cable tray L | • | • | • | • |
| CPU holder | • | • | • | • |
| Cable flap | • | • | • | - |
| Cable Box | • | • | • | • |
| Plug Box | • | • | • | • |
| Preparation for connection to T-Panel | • | • | only visitor side | on request |
| Connection to T-Panel Extend | • | - | only visitor side | - |
| Covering caps | • | • | • | • |
| Modesty panel | • | - | only visitor side | - |
| Sliding top | • | • | - | - |
| Divided sliding top | • | • | - | - |
| Frame panels | • | • | - | - |
| Cable cover | • | • | - | - |
| Spacers | • | only lateral | • | only lateral |
| Cable management | • | • | • | • |
| Excess length of desk top | • | • | • | - |

1 Cable gap
Fixed positions. 1 or 2 cable gaps are possible per tabletop: left/right/left and right.
Dimension: Width 350mm, depth 45mm
Not possible for 3mm edges, cable flap, or sliding top.



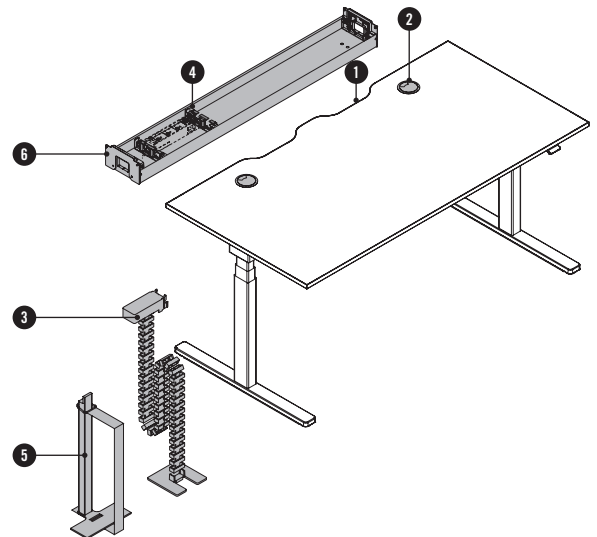
2 Grommet hole
Fixed positions. 1 or 2 grommet holes are possible per tabletop: left/right/left and right.
Cover colour: Black, white, or aluminium
Not possible with cable flap or sliding top.



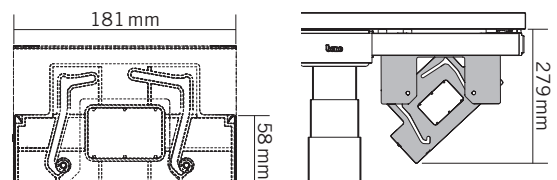
3 Cable chain
for further information → priceliste „cable- & media management“

4 Plug board bracket for cable tray L
To fix the connection plug board in the cable tray.
Colour: Black

5 CPU holder
Maximum height of computer: 450mm



6 Cable tray L
tiltable
Colours: Black, white, or aluminium
Space from bottom to cable tray: 600mm (at the lowest position)

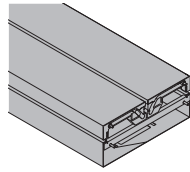
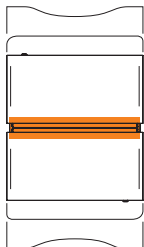


OPTIONS

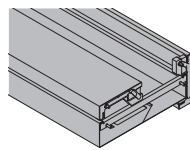
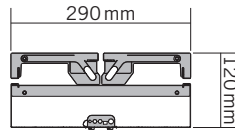
CENTRAL CABLE TRAY - LEVEL TWIN & LEVEL LIFT TWIN

Covering can be rotated and mounted on the combination leg. Colours: Black, white, or aluminium

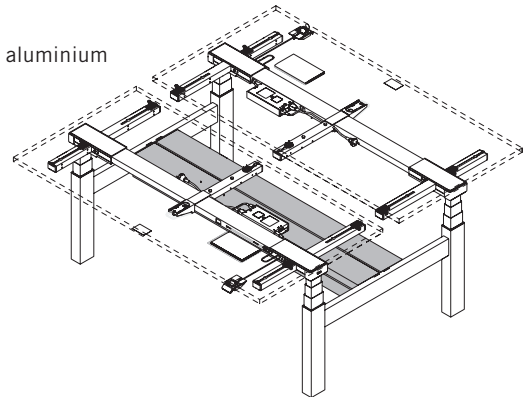
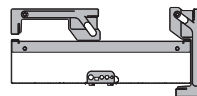
RE, NG



closed



right side open,
cable tray can be opened on both sides



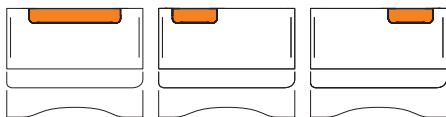
CABLE FLAP

Fixed positions. Possible positions: central/left/right.

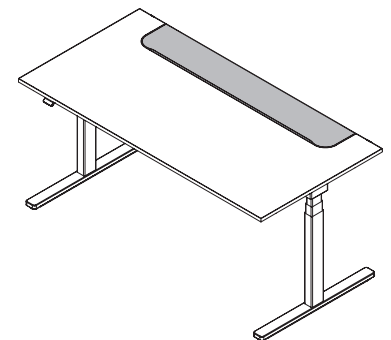
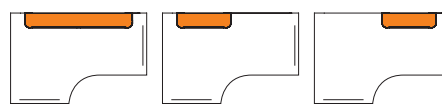
Central: table widths of up to 1.300 and 1.400 mm or greater, left/right: table widths of 1.600 mm or greater

Not possible in combination with cable outlet, cable gap, or sliding top.

RE, NG



K1

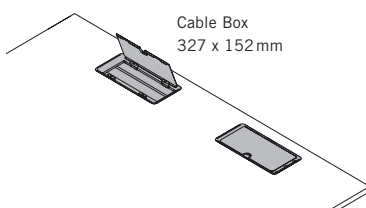


CABLE BOX

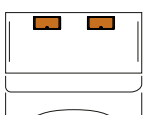
The cable box enables quick and easy access to the cable tray. The plastic frame and the metal flap are available in white, black or aluminium.

- max. 2 units per table top possible
- position per desktop shape specified as fixed
- position in the centre up to desk width of 1.399 mm
- position left/right/left and right from desk width of 1.400 mm

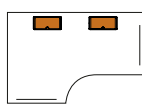
Cannot be combined with sliding top and cable flap.



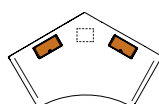
RE, NG



K1



W3

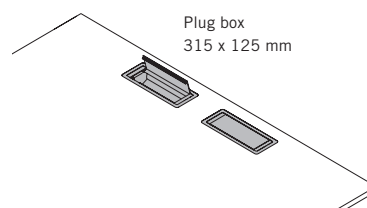


PLUG BOX

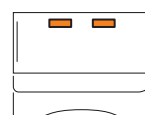
The plug box is milled flush into the table top and can be equipped with a connection plug board. The metal flap are available in black or aluminium.

- Flap can only be opened from one side via "Push to open".
- max. 2 units per table top possible
- position per desktop shape specified as fixed
- position in the centre up to desk width of 1.399 mm
- position left/right/left and right from desk width of 1.400 mm

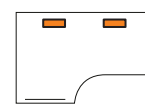
Cannot be combined with sliding top and cable flap.



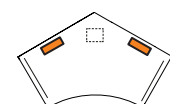
RE, NG



K1



W3



OPTIONS

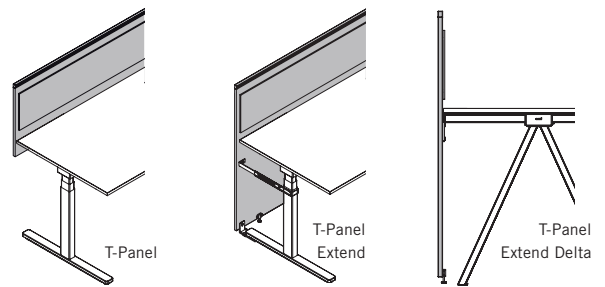
PREPARATION FOR CONNECTION TO T-PANEL

Mounting brackets are inserted into the consoles and fixed in place from below. The number of mounting brackets depends on the table width.

Longitudinal holes in the console allow the gap to be adjusted from 2-25 mm. A rocker allows the T-Panel to be levelled. Possible with table depths of 800 mm or greater.

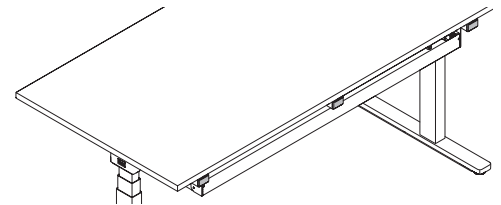
Can also be connected to T-Panel Extend, not possible in combination with Delta High frame.

More information → Price list for T-Panel Pure, Multi, and Curve



COVERING CAPS

Covering caps can be added to upgrade the table without preparation for connection to the T-Panel.

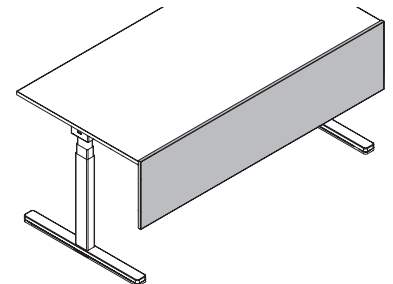


MODESTY PANEL

Flush with the top edge of the table; height varies depending on table-top thickness. Available in 16 mm chipboard. Longitudinal holes in the console allow the gap to be adjusted from 0-20 mm. Assembly same as for T-Panel Curve/Pure.

Black mounting bracket.
Black, white or aluminium cover available.

Not available in combination with LEVEL TWIN, LEVEL LIFT TWIN and with T-Panel.



SLIDING TOP/DIVIDED SLIDING TOP

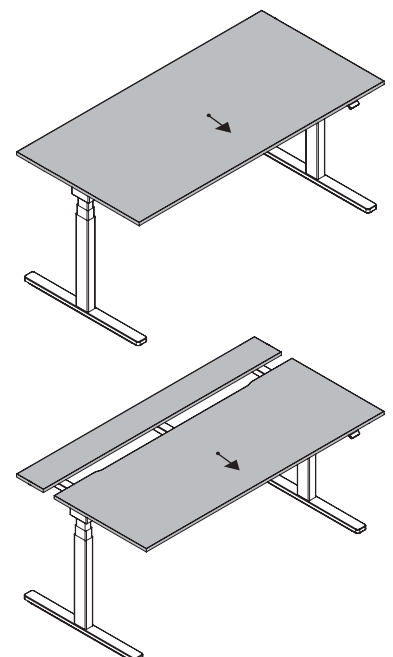
The sliding top has a sliding mechanism with a latching function for locking. It can be easily slid to the front by loosening the catch, allowing cable management access.

Sliding top

- Sliding length: 177 mm
- at a table depth of 600 mm, the sliding distance is reduced by 50 mm
- only makes sense in connection with a cable tray
- not possible with cable flap or cable outlet
- cable cover optional

Divided sliding top

- Sliding length: 107 mm
- only with T-leg frame
- only makes sense in connection with a cable tray
- for table depths of 800 mm or greater
- not possible with cable flap or cable outlet
- frame panel and cable cover optional



OPTIONS

FRONT/SLIDING PANELS

The following options allow upgrading the table to include a divided sliding top.

FRAME PANELS ①

This panel improves the visitor's side view of the table. The metal is screwed to the headpiece.

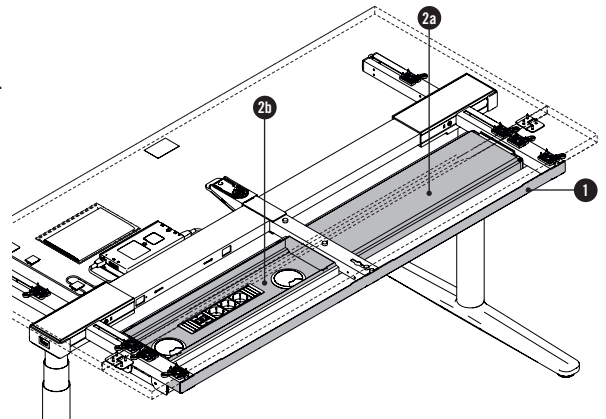
A small gap between it and the tabletop allows cables to be fed through. No T-Panel can be connected in combination with the frame panel. Available for table widths of 1.400, 1.600, and 1.800.

CABLE COVER ②

There are two different steel plate inserts. Their function is to cover the basic cabling ②a and provide the user another level for temporary cabling ②b.

The first version is connected with metal hooks to the cable tray, but the second requires two connection plug board holders. They can be used to fix the connection plug board in place and fasten the trays with inserted magnet.

The inserts can be used with all types of sliding tops and configured as desired. One of each version is always included in delivery. Available for table widths of 1.400, 1.600, and 1.800. Cable covers must be ordered separately.



CABLE MANAGEMENT

The type of cable management is based on the column design. There are two basic systems.

· Two-part/three-part column with basic collision protection

Here the control system is integrated into the column. The column designated as “master” handles the connection to the second, the manual switch and the motor cable for the connection to the power supply unit. The power supply unit, in turn, is connected to the electrical grid through the power lead.

· 3-part column with increased collision protection

These columns always require a control system. All columns, the manual switch and the power lead are connected to this central component.

Two lengths are available for the power lead with the plug types A, D, F, L:

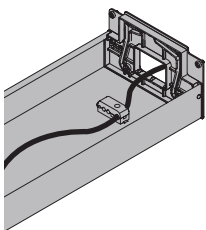
- 1.500 mm: to connect to a connection plug board in the cable tray (plug type L, only with increased collision protection: 2.000 mm)
- 3.000 mm (columns without increased collision protection) or 3.200 mm (columns with increased collision protection): for a direct connection to a power socket in the building (e.g. floor tank)

Plug types

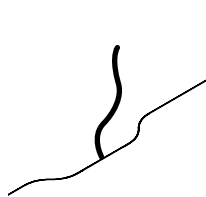
- A, F, L: straight plug
- D: angle plug

OPTIONAL

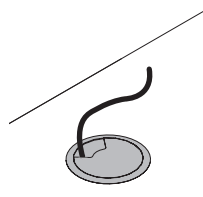
Tilttable cable tray L



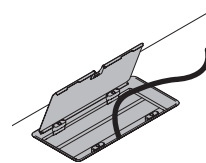
Cable gap



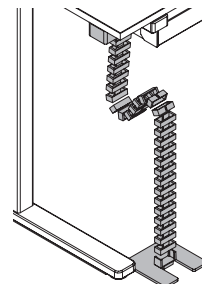
Cable outlet



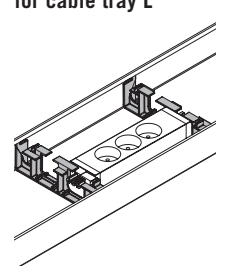
Cable box/Plug box



Cable chain



Plug board bracket for cable tray L



Extended cable management and technical description → Price list cable and media management.

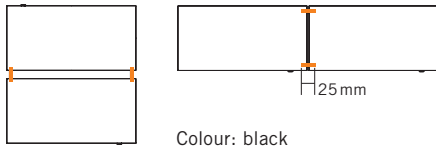
OPTIONS

SPACERS

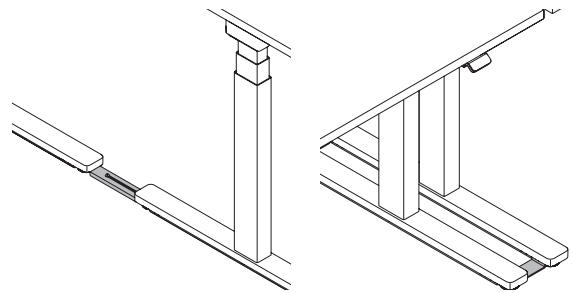
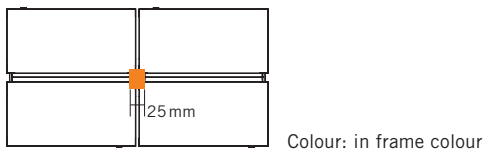
Spacers can be used to connect several tables. They keep the distance between the tables constant at a minimum of 25 mm.

Included in the package: Two units, spacers must be ordered separately.

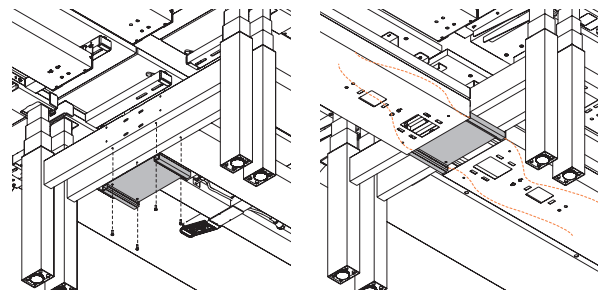
Spacer positions LEVEL & LEVEL LIFT



Spacer position LEVEL TWIN & LEVEL LIFT TWIN



Spacers LEVEL & LEVEL LIFT



Spacer LEVEL TWIN & LEVEL LIFT TWIN, with integrated cable lead

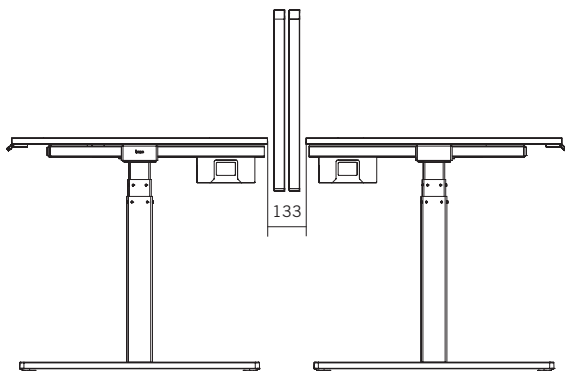
NOTE - SPACER ON VISITOR SIDE

The visitor-side spacers (always 100 mm adjustable) are generally intended for installation with T-Panels. Depending on the depth of the table or type of column, there are different distances between cantilever leg and the table trailing edge. Dimensions in the table always the dimensions between two tabletops.

| Depth (mm) | T-leg | | C-leg | |
|------------|-------|------|-------|------|
| | min. | max. | min. | max. |
| 600 | 143 | 243 | - | - |
| 700 | 43 | 143 | - | - |
| 800 | 103 | 203 | 147 | 247 |
| 900 | 103 | 203 | 147 | 247 |
| 1.000 | 3 | 103 | 47 | 147 |

Example

At 2 x 800 depth with T-Panel Multi + distances, the result is 133 mm - according to the table, it works (between 103 and 203 mm). If the tables had a depth of 1.000 mm, it would not work (3 - 103 mm).



OPTIONS

EXCESS LENGTH OF DESK TOP

Depending on the shape of the table top, the table top can be enlarged in different directions by the specified dimensions.
Not available in combination with equal-sided 120° angle desk W3 .

SINGLE WORKPLACE

| RE | | NG | | K1 |
|--|--|--|--|----|
| | | | | |
| visitor side: 0 - max. 100 mm left: 0 - max. 200 mm right: 0 - max. 200 mm user side: 0 - max. 100 mm | visitor side: 0 - max. 100 mm left: 0 - max. 200 mm right: 0 - max. 200 mm user side: 0 - max. 100 mm | visitor side: 0 - max. 100 mm left: 0 - max. 200 mm right: 0 - max. 200 mm user side: 0 - max. 100 mm | visitor side: 0 - max. 100 mm visitor side lateral: 0 - max. 100 mm lateral: 0 - max. 200 mm | |

LEVEL TWIN/LEVEL LIFT TWIN

| RE | | NG |
|--|--|--|
| | | |
| central: 0 - max. 39 mm left: 0 - max. 200 mm right: 0 - max. 200 mm user side: 0 - max. 100 mm | central: 0 - max. 39 mm left: 0 - max. 200 mm right: 0 - max. 200 mm user side: 0 - max. 100 mm | central: 0 - max. 39 mm left: 0 - max. 200 mm right: 0 - max. 200 mm user side: 0 - max. 100 mm |

INSPIRATIONS

The settings presented below are intended to give you ideas and enable you to quickly calculate prices. You can also budget these in the pCon.planner.



Inspiration #01

- LEVEL LIFT PRO with three-part column, round T-leg
- Rectangular with Soft Edge, 1.800x900 mm
- FENIX black MDF panel
- with divided sliding top, cable tray, cable chain, frame panels
- with increased collision protection
- Manual controller Premium BT
- SIDE_S Sideboard
- RIYA high



Inspiration #02

- LEVEL LIFT with three-part column, round T-leg
- Rectangular with Soft Edge, 1.800 x 900 mm
- Chipboard, EY oak sylt
- with cable tray, cable chain
- with increased collision protection
- Manual controller Premium BT
- SIDE_S Caddy
- Medium-high RIYA

INSPIRATIONS



Inspiration #03

- LEVEL LIFT with three-part column, T-leg
- Rectangular, 1.600 x 800 mm
- Chipboard, MW white
- with divided sliding top, cable tray, cable chain, frame panels
- with increased collision protection
- Manual controller Light
- CT pedestal with seat upholstery
- B_Run, medium high



Inspiration #04

- LEVEL with Delta wood in HC oak nature
- Rectangular with Soft Edge, 1.600 x 800 mm
- Chipboard, MW white
- with divided sliding top, cable tray, cable chain
- SIDE_S pedestal
- RIYA high

INSPIRATIONS



Inspiration #05

- LEVEL with Delta steel in black
- Rectangular with Soft Edge, 1.600 x 800 mm
- Chipboard, TS fern green
- with cable flap, cable tray, cable chain
- SIDE_S sideboard
- RIYA high

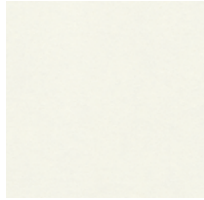


Inspiration #06

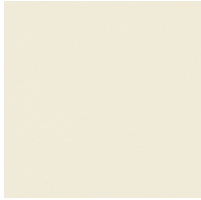
- LEVEL with Classic in MW white
- Rectangular, 1.600 x 800 mm
- Chipboard, MW white
- with cable flap, cable tray, cable chain
- CT mobile pedestal
- RIYA high

COLOURS & MATERIALS

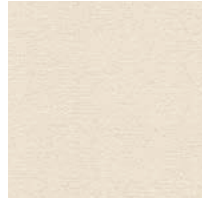
MELAMINE: Basic colours



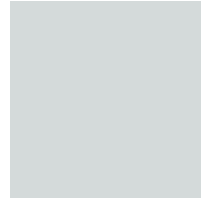
MW white



MQ office white



MC canvas



MP platinum



TM clay



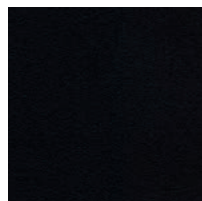
MH stone grey



MA aluminium



MS slate



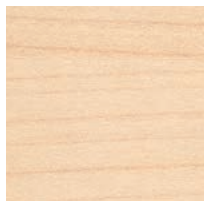
MB basalt



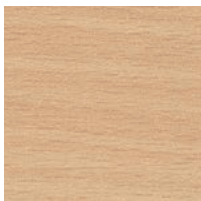
MD urban grey

MELAMINE: Additional basic colours

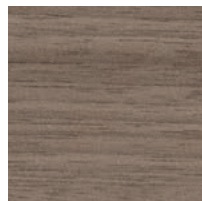
MELAMINE: Décor colours



AR maple



BH beech light



NG walnut grey



EZ oak vicenza

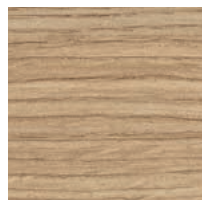
MELAMINE: Décor colours with texture



CE elm white

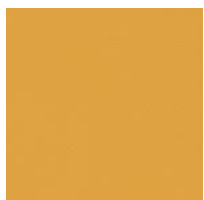


CO coco

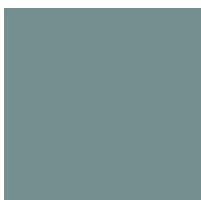


EA oak aragon

MELAMINE: Accent colours



TX mustard



TH marino blue



TS fern green

COLOURS & MATERIALS

VENEER: Maple



AK canad. maple

VENEER: Beech

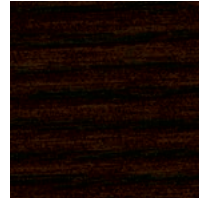


BG beech, grey

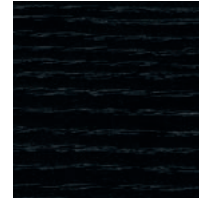
VENEER: Oak



EY oak, silt



ER oak, amaretto

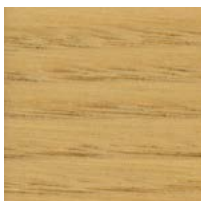


EV oak, volcano



EG oak grey

VENEER: Chestnut



KD chestnut natural

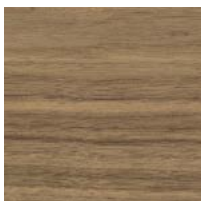


KP chestnut brown

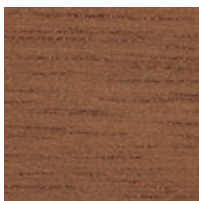


KQ chestnut grey

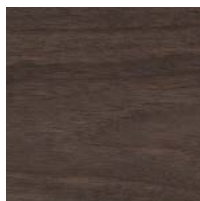
VENEER: Walnut



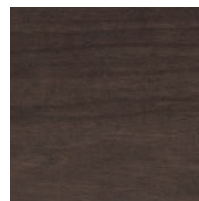
NF americ. walnut



NR walnut, sienna

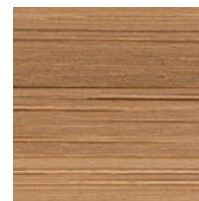


NB walnut, umbra



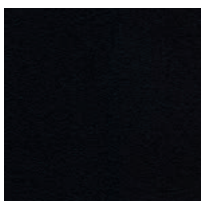
NA wal., anthracite

VENEER: Bamboo



BJ bamboo

FENIX



black